

CP06-L

Super flexible one-to-three SATA power connectors with capacitors

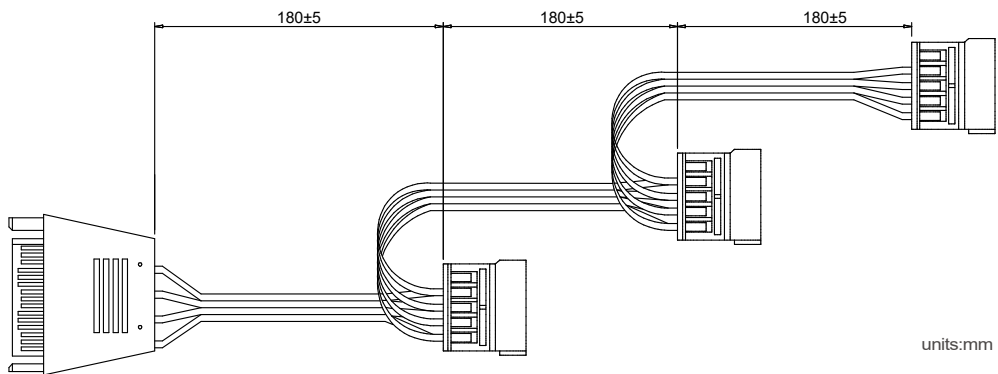
- 180° angled SATA connectors designed for systems with parallel hard drives
- 0.08mm ultra-fine copper super flexible wires which can be bent into complex shapes
- Includes two 2200µF capacitors for stabilizing +12V and +5V voltages
- Simultaneous support for three sets of SATA drives and devices
- Compatible with SATA optical drives, hard drives, and SSDs
- Much more flexible than standard PSU SATA cables

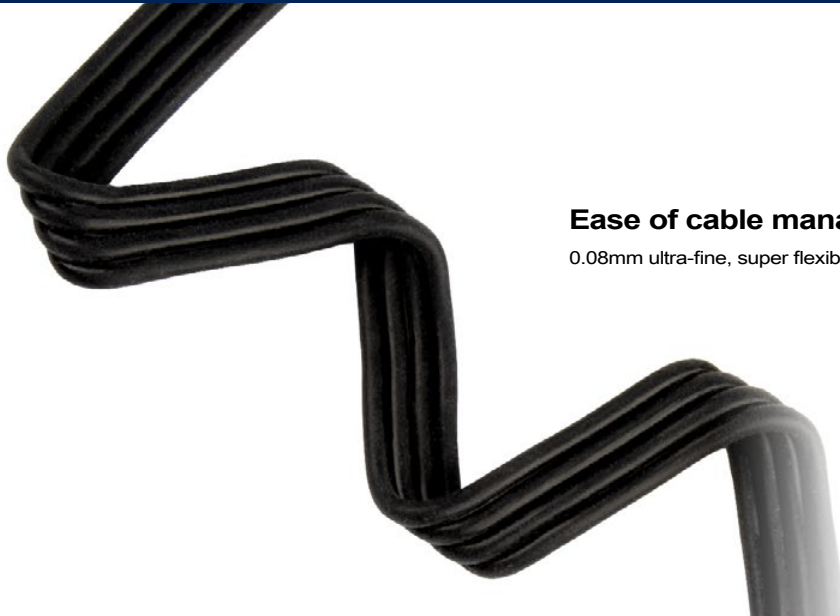


Specifications

| | |
|----------------|--|
| Model No. | SST-CP06-L |
| Color | Black |
| Connector | One to three 180° angled SATA 15pin connectors |
| Length | 180mm + 180mm + 180mm |
| Capacitor size | 2200µF |

Warning: Do not use more than four hard drives on one single power cable



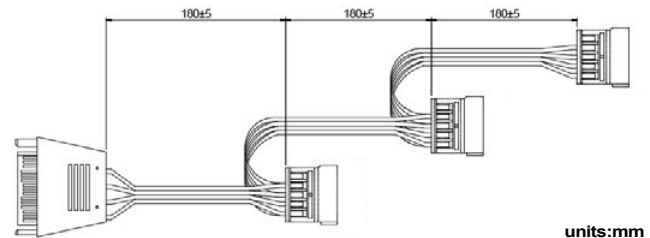


Ease of cable management

0.08mm ultra-fine, super flexible copper wires which can be bent into complex shapes



Includes two 2200 μ F capacitors for stabilizing +12V and +5V voltages



Simultaneous support for three sets of SATA drives and devices

The length between each connector allows easy installation for 3 parallel hard drives, along with its silicon finish, not only does it make cable management for extra cable easier, but also won't cause excessive tension due to the shortness of the cable