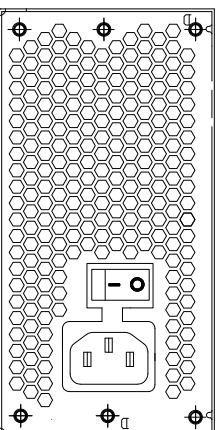
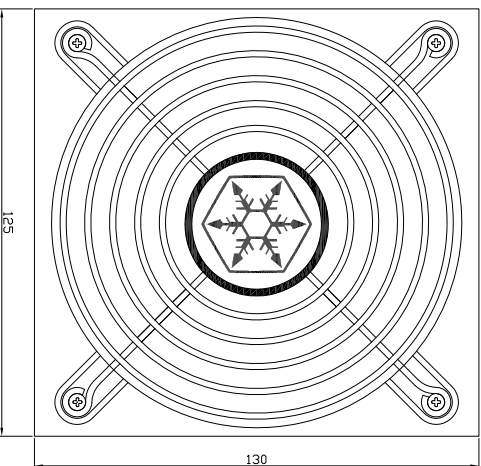
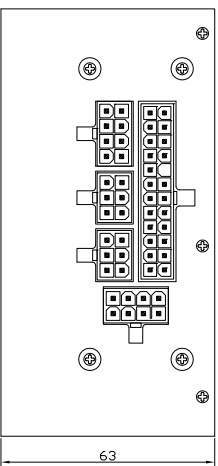
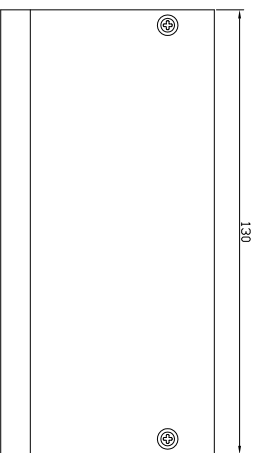
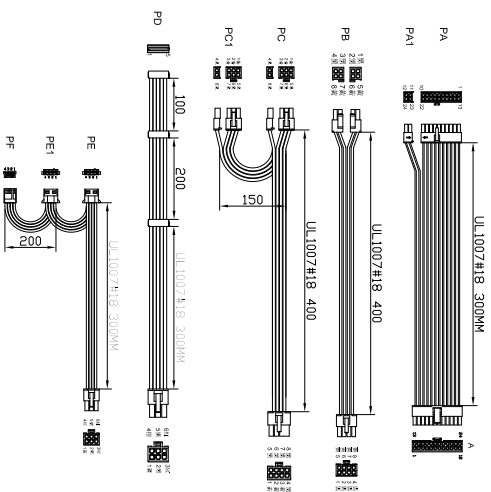


# SST-SX500-LG

DIM.	
PA: 300*30MM	300
PA1: 150	150
PB: 400*30MM	400
PC: 400*30MM	400
PC1:150*30MM	150
PD: 600*30MM	600
PE: 300*30MM	300
PE1:200*30MM	200
PF: 1200*30MM	1200



REF.ID.	PIN NO.	COLOR	V
---------	---------	-------	---

PA	1	ORANGE	+3.3V
PA	2	ORANGE	+3.3V
PA	3	BLACK	COM
PA	4	RED	+5V
PA	5	BLACK	COM
PA	6	RED	+5V
PA	7	BLACK	COM
PA	8	GRAY	PWR_OK
PA	9	PURPLE	+5VSB
PA	10	YELLOW	+12V
PA	13	ORANGE	+3.3V
PA	14	BROWN	+3.3V
PA	14	BLUE	-12V
PA	15	BLACK	COM
PA	16	GREEN	PS_ON#
PA	17	BLACK	COM
PA	18	BLACK	COM
PA	19	BLACK	COM
PA	20	BLACK	COM
PA	21	RED	+5V
PA	22	RED	+5V
PA	11	YELLOW	+12V
PA	12	ORANGE	+12V
PA	23	RED	+3.3V
PA	24	BLACK	COM

REF.ID.	PIN NO.	COLOR	V
---------	---------	-------	---

PE	1	YELLOW	+12V
PE	2	BLACK	COM
PE1	3	BLACK	COM
PE1	4	RED	+5V
PF	1	RED	+5V
PF	2	BLACK	COM
PF	3	BLACK	COM
PF	4	YELLOW	+12V
PD	1	ORANGE	+3.3V
PD	2	BLACK	COM
PD	3	RED	+5V
PD	4	BLACK	COM
PD	5	YELLOW	+12V
PB	1	BLACK	COM
PB	2	BLACK	COM
PB	3	BLACK	COM
PB	4	BLACK	COM
PB	5	YELLOW	+12V
PB	6	YELLOW	+12V
PB	7	YELLOW	+12V
PB	8	YELLOW	+12V
PC	1	YELLOW	+12V
PC	2	YELLOW	+12V
PC	3	YELLOW	+12V
PC	4	BLACK	COM
PC	5	BLACK	COM
PC	6	BLACK	COM
PC	7	BLACK	COM
PC	8	BLACK	COM

