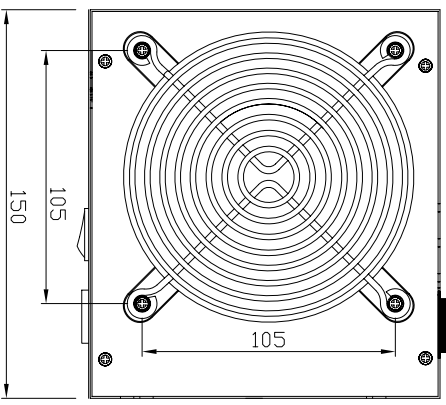
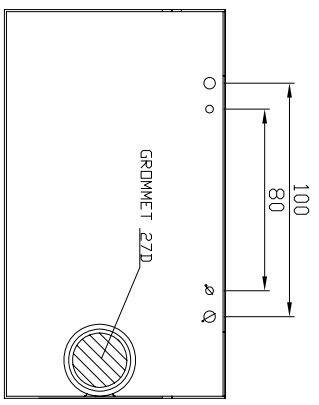
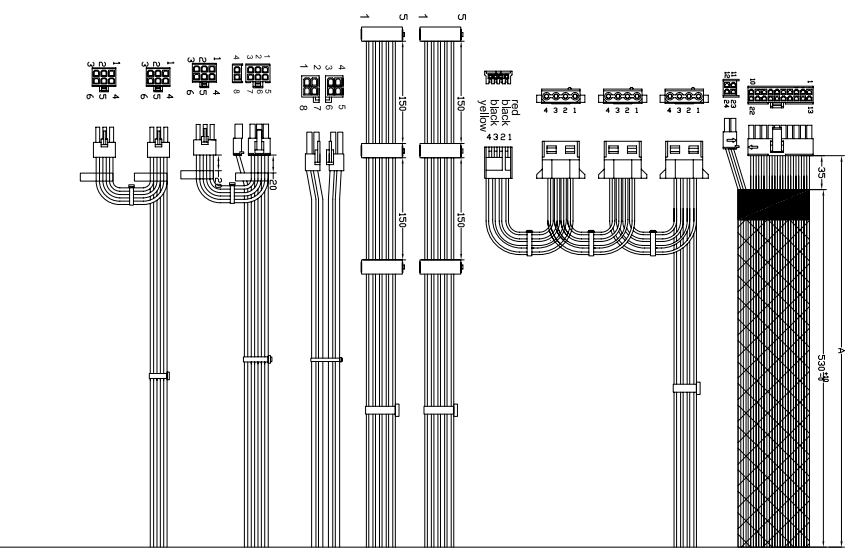


SST-ST70F-ES

DIM.	
PA1:500+30MM -0MM	
PA2:505+30MM -0MM	
PB: 500+30MM -0MM	
PC: 150+30MM -0MM	
PD: 150+30MM -0MM	
PE: 150+30MM -0MM	
PF: 800+30MM -0MM	
PG: 800+30MM -0MM	
PH: 550+30MM -0MM	
PI: 500+30MM -0MM	
PJ: 150+30MM -0MM	
PK: 500+30MM -0MM	
PL: 150+30MM -0MM	



REF.ID.	PIN NO.	COLOR	V
PA1	1	ORANGE	+3.3V
	2	ORANGE	+3.3V
	3	BLACK	COM
	4	RED	+5V
	5	BLACK	COM
	6	RED	+5V
	7	BLACK	COM
	8	GRAY	PWR_OK
	9	PURPLE	+5VSB
	10	YELLOW	+12V
	13	BROWN	+3.3V
	14	BLUE	-12V
	15	BLACK	COM
16	GREEN	PS_ON#	
17	BLACK	COM	
18	BLACK	COM	
19	BLACK	COM	
20			
21	RED	+5V	
22	RED	+5V	
11	YELLOW	+12V	
12	DRANGE	+3.3V	
23	RED	+5V	
24	BLACK	COM	

REF.ID.	PIN NO.	COLOR	V
PF	1	ORANGE	+3.3V
	2	BLACK	COM
	3	RED	+5V
	4	BLACK	COM
	5	YELLOW	+12V
PG	1	YELLOW	+12V
	2	BLACK	COM
PE	1	RED	+5V
	2	BLACK	COM
	3	BLACK	COM
	4	YELLOW	+12V
PH	1	BLACK	COM
	2	BLACK	COM
	3	BLACK	COM
PI	1	YELLOW	+12V
	2	YELLOW	+12V
	3	YELLOW	+12V
	4	BLACK	COM
	5	YELLOW	+12V
	6	YELLOW	+12V
	7	YELLOW	+12V
	8	YELLOW	+12V
PJ	1	YELLOW	+12V
	2	YELLOW	+12V
	3	YELLOW	+12V
	4	BLACK	COM
	5	BLACK	COM
	6	BLACK	COM
PK	1	YELLOW	+12V
	2	YELLOW	+12V
	3	YELLOW	+12V
	4	BLACK	COM
	5	BLACK	COM
	6	BLACK	COM
PL	1	YELLOW	+12V
	2	YELLOW	+12V
	3	YELLOW	+12V
	4	BLACK	COM
	5	BLACK	COM
	6	BLACK	COM

