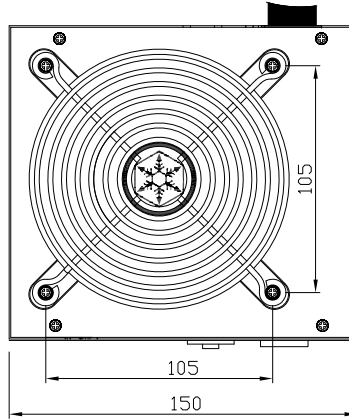
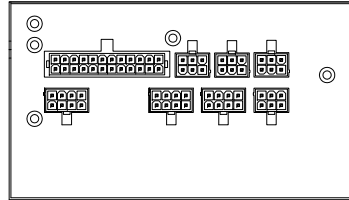
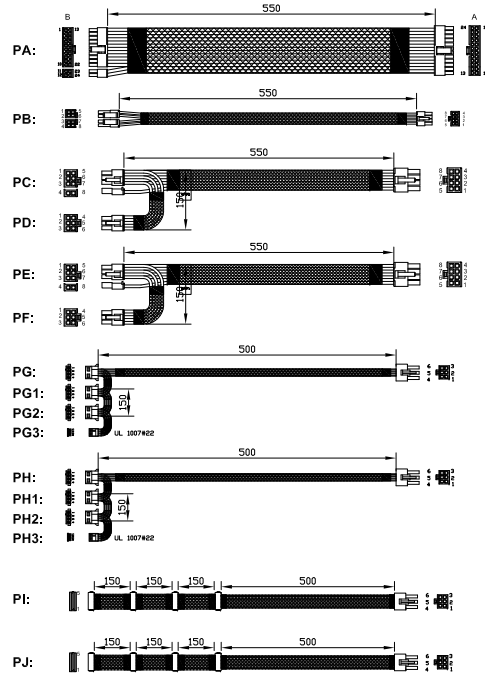


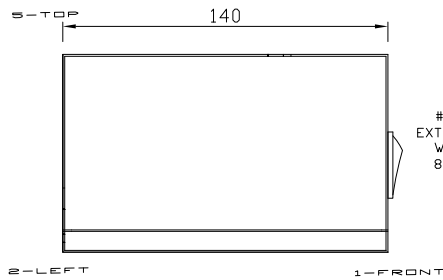
SST-ST60F-PS

DIM.
PA: 550+30MM -0MM
PB: 550+30MM -0MM
PC: 550+30MM -0MM
PD: 150+30MM -0MM
PE: 550+30MM -0MM
PF: 150+30MM -0MM
PG: 500+30MM -0MM
PG1: 150+30MM -0MM
PG2: 150+30MM -0MM
PG3: 150+30MM -0MM
PH: 500+30MM -0MM
PH1: 150+30MM -0MM
PH2: 150+30MM -0MM
PH3: 150+30MM -0MM
PI: 950+30MM -0MM
PJ: 950+30MM -0MM



REF.ID.	PIN NO.	COLOR	V
PA	1	ORANGE	+3.3V
	2	ORANGE	+3.3V
	3	BLACK	COM
	4	RED	+5V
	5	BLACK	COM
	6	RED	+5V
	7	BLACK	COM
	8	GRAY	PWR_OK
	9	PURPLE	+5VSB
	10	YELLOW	+12V
	11	YELLOW	+12V
	12	ORANGE	+3.3V
	13	BROWN	+3.3V(SENSE)
	14	BLUE	-12V
	15	BLACK	COM
	16	GREEN	PS_ON#
	17	BLACK	COM
	18	BLACK	COM
	19	BLACK	COM
	20		
	21	RED	+5V
	22	RED	+5V
	23	RED	+5V
	24	BLACK	COM

REF.ID.	PIN NO.	COLOR	V
PI	1	ORANGE	+3.3V
	2	BLACK	COM
	3	RED	+5V
	4	BLACK	COM
	5	YELLOW	+12V
PJ	1	ORANGE	+3.3V
	2	BLACK	COM
	3	RED	+5V
	4	BLACK	COM
PG	1	YELLOW	+12V
	2	BLACK	COM
	3	BLACK	COM
	4	RED	+5V
PH	1	RED	+5V
	2	BLACK	COM
	3	BLACK	COM
	4	YELLOW	+12V
PH1-2	1	RED	+5V
	2	BLACK	COM
	3	BLACK	COM
	4	YELLOW	+12V
PH2-2	1	RED	+5V
	2	BLACK	COM
	3	BLACK	COM
	4	YELLOW	+12V
PG3	1	BLACK	COM
	2	BLACK	COM
	3	BLACK	COM
	4	YELLOW	+12V
	5	YELLOW	+12V
	6	YELLOW	+12V
	7	YELLOW	+12V
	8	YELLOW	+12V
PH3	1	BLACK	COM
	2	BLACK	COM
	3	BLACK	COM
	4	BLACK	COM
	5	YELLOW	+12V
	6	YELLOW	+12V
	7	YELLOW	+12V
	8	YELLOW	+12V
PB	1	YELLOW	+12V
	2	YELLOW	+12V
	3	YELLOW	+12V
	4	BLACK	COM
	5	BLACK	COM
	6	BLACK	COM
	7	BLACK	COM
	8	BLACK	COM
PC	1	YELLOW	+12V
	2	YELLOW	+12V
	3	YELLOW	+12V
	4	BLACK	COM
	5	BLACK	COM
	6	BLACK	COM
	7	BLACK	COM
	8	BLACK	COM
PE	1	YELLOW	+12V
	2	YELLOW	+12V
	3	YELLOW	+12V
	4	BLACK	COM
	5	BLACK	COM
	6	BLACK	COM
PD	1	YELLOW	+12V
	2	YELLOW	+12V
	3	YELLOW	+12V
	4	BLACK	COM
	5	BLACK	COM
	6	BLACK	COM



#6-32x4
EXTRUDED HOLE
WITHSTAND
8KG/CMF

