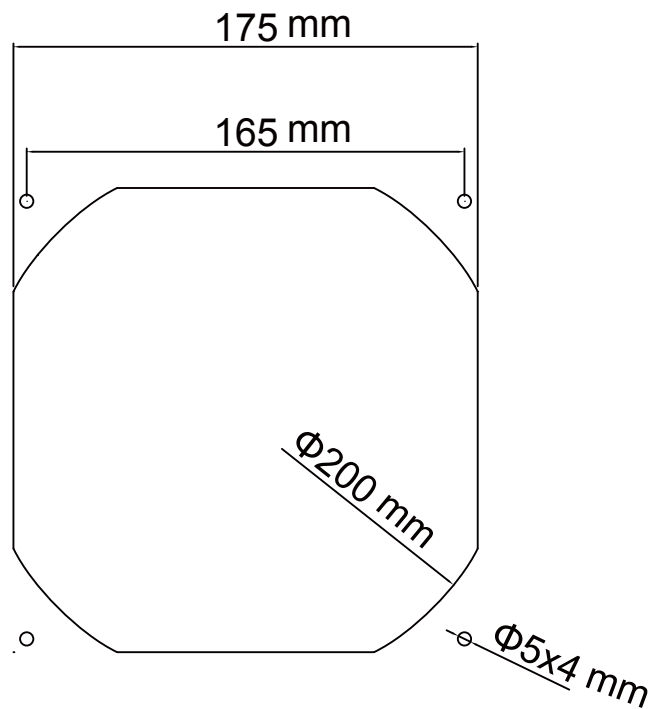


MOUNTING PANEL CUTOUT
FOR AP181 AP182



MOUNTING PANEL CUTOUT
FOR FN181 FM181