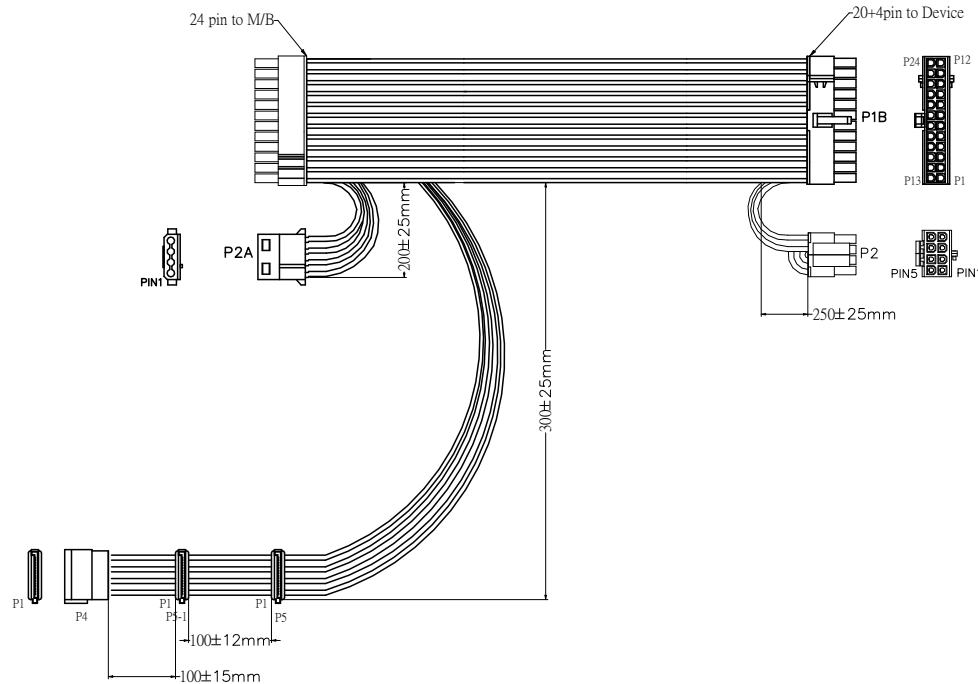
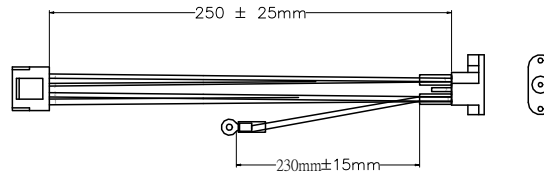
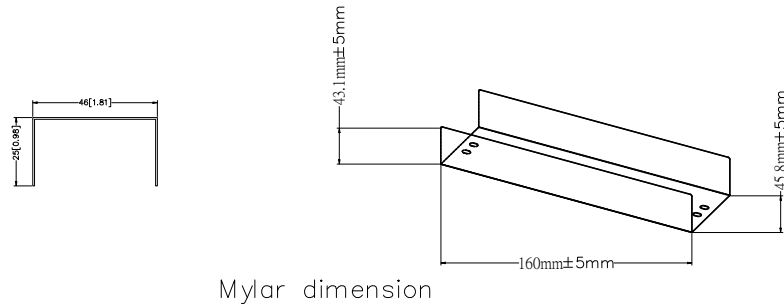
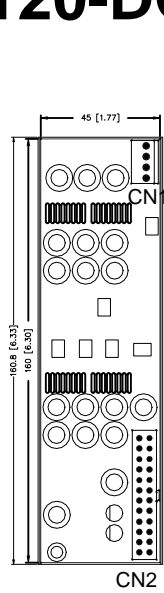


SST-AD120-DC



CONN	PIN	COLOR	OUTPUT	WIRE AWG	LENGTH
P1B	1	BLACK	+3.3V	20	200 ± 25
	2	BLACK	+3.3V		
	3	BLACK	GND		
	4	BLACK	+5V		
	5	BLACK	GND		
	6	BLACK	+5V		
	7	BLACK	GND		
	8	BLACK	GND		
	9	BLACK	PG		
	10	BLACK	+5VSB		
	11	BLACK	+12V		
	12	BLACK	+12V		
	13	BLACK	+12V		
	14	BLACK	+3.3V		
	15	BLACK	-12V		
	16	BLACK	GND		
	17	BLACK	PS-ON		
	18	BLACK	GND		
	19	BLACK	GND		
	20	NC	NC		
	21	BLACK	+5V		
	22	BLACK	+5V		
	23	BLACK	+5V		
	24	BLACK	GND		
P2A	1	BLACK	+12V	20	100 ± 12
	2	BLACK	GND		
	3	BLACK	GND		
P5	4	BLACK	+5V	20	300 ± 25
	1	BLACK	+12V		
	2	BLACK	GND		
	3	BLACK	+5V		
	4	BLACK	GND		
P5-1	5	BLACK	+3.3V	20	250 ± 25
	1	BLACK	+12V		
	2	BLACK	GND		
	3	BLACK	+5V		
	4	BLACK	GND		
P4	5	BLACK	+3.3V	20	100 ± 12
	1	BLACK	+12V		
	2	BLACK	GND		
	3	BLACK	+5V		
	4	BLACK	GND		
P2	5	BLACK	+3.3V	20	250 ± 25
	1	BLACK	GND		
	2	BLACK	GND		
	3	BLACK	GND		
	4	BLACK	GND		
	5	BLACK	+12V		
	6	BLACK	+12V		
	7	BLACK	+12V		
8	BLACK	+12V			