



SILVERSTONE[®]
Designing Inspiration

NIGHTJAR SERIES SST-NJ520

Ultimate fanless power supply
with 80 PLUS Platinum

Fanless thermal solution, 0 dBA acoustics

High efficiency with 80 PLUS Platinum certification

100% modular cables

Strict $\pm 2\%$ voltage regulation and low ripple & noise

24/7 continuous power output with 40°C operating temperature

Class-leading single +12V rail

PCI-E 8pin and PCI-E 6pin connectors support

SPECIFICATION

SilverStone Nightjar

NJ520

ATX12V / EPS 12V Switching Power Supply
With Active PFC
Fanless Thermal Solution
80Plus Platinum
PS/2

1.0 INPUT:

1.1 VOLTAGE

RANGE	MINIMUM	NOMINAL	MAXIMUM	UNITS
1	90	115,230	264	VRMS

1.2 FREQUENCY

47Hz ~ 63Hz

1.3 CURRENT

7A/100V, 4A/240V

1.4 INRUSH CURRENT

115V/50A (max.), 230V/100A (max.) at 25°C (cold start)

1.5 POWER EFFICIENCY

The PSU should be at 89% efficiency with 100% of full load, at 92% efficiency with 50% of full load and at 90% efficiency with 20% of full load.

1.6 STANDBY MODE

During measurement of the "STANDBY MODE" condition, the main converter is off (PS_ON=High). +5Vsb converter is working and standby input power is measured.

Load Condition	Efficiency	Power in
<45mA	----	<0.45W
45mA	>=50%	----
100mA	>=55%	
250mA	>=65%	----
1.0A	>=75%	----
*2013 ErP Standby efficiency		

1.7 ACTIVE POWER FACTOR CORRECTION (PFC):

PFC at half/full load:

>0.95 at AC 110v 60Hz (typical)

>0.90 at AC 230v 50Hz (typical)

2.0 OUTPUT:

GROUP	1				2
	VOLTAGE	+3.3V	+5V	+12V	-12V
MAX.LOAD	20A	20A	43A	0.5A	2.5A
MIN.LOAD	0A	0A	0A	0A	0A
REGULATION	±2%	±2%	±2%	±10%	±4%
RIPPLE & NOISE (mV)	50	50	120	120	50
Capacitive Loads_(uF)	10000	10000	10000	330	10000

NOTE:

1.The continuous maximum total output power shall not exceed 520W.

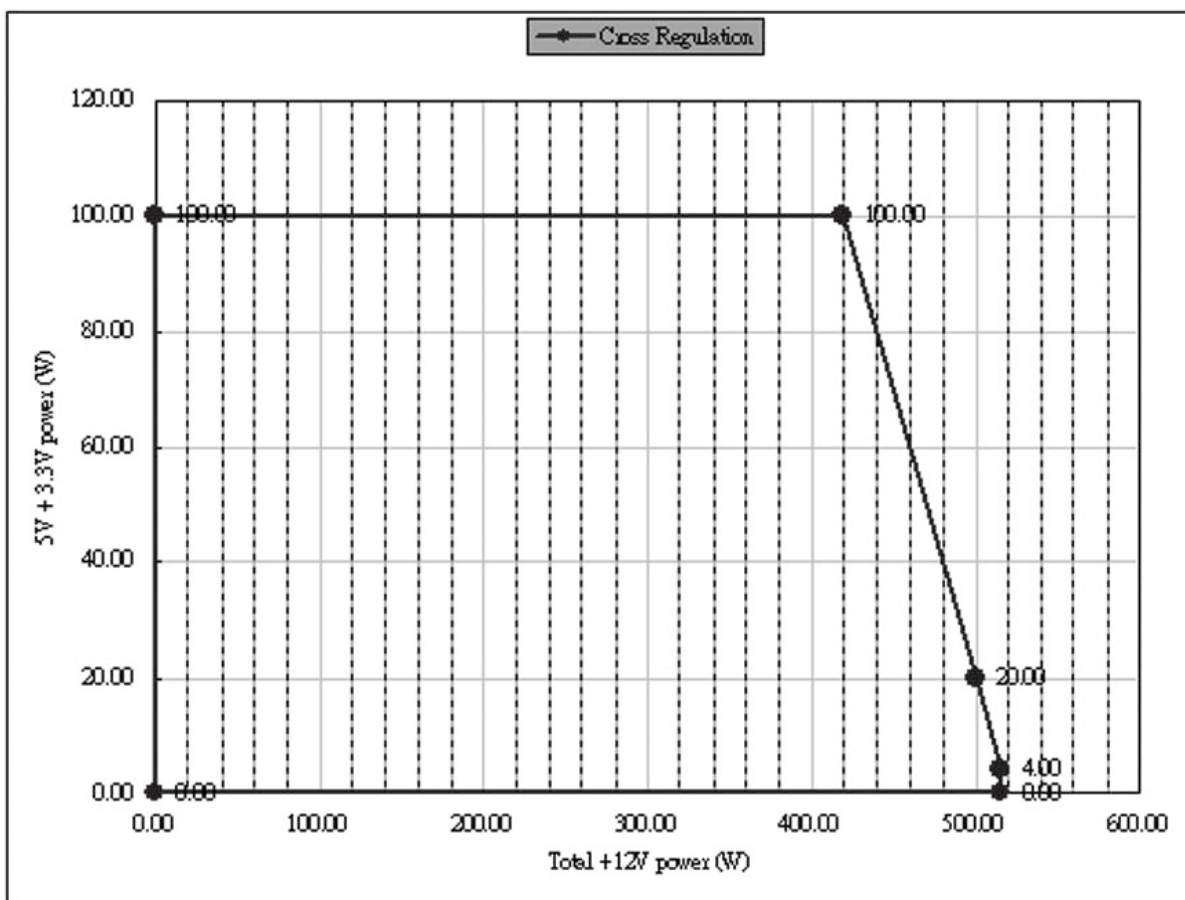
+12V DC maximum output power shall not exceed 43A (516W).

+3.3V and +5V DC maximum combined output power shall not exceed 100W.

2. Maximum peak total DC output power should not exceed 572W.
3. Peak power and current loading should be supported for a minimum of 1 second.
4. +3.3V, +5V and +12V DC output voltage should be within Figure 1 cross loading range to meet regulation.
5. Ripple and Noise measuring with an oscilloscope with 20 MHz bandwidth in Figure 1 cross loading range. Output should be bypassed at the connector with a 0.1uF ceramic disk capacitor and a 10uF electrolytic capacitor to simulate system load. The length of ground wire on probe should not longer than 40mm, if a Non - differential type of scope was used.

2.1 CROSS REGULATION

The +5V & +3.3V combined load and +12VDC load shall remain within the defined in section 2.0 over cross load combinations shown Figure 1:



2.2 HOLD-UP TIME: 16ms (minimum)

Test Condition: Full load. AC input 115V or 230V, 47Hz.

2.3 LOAD TRANSIENT RESPONSE (STEP LOAD)

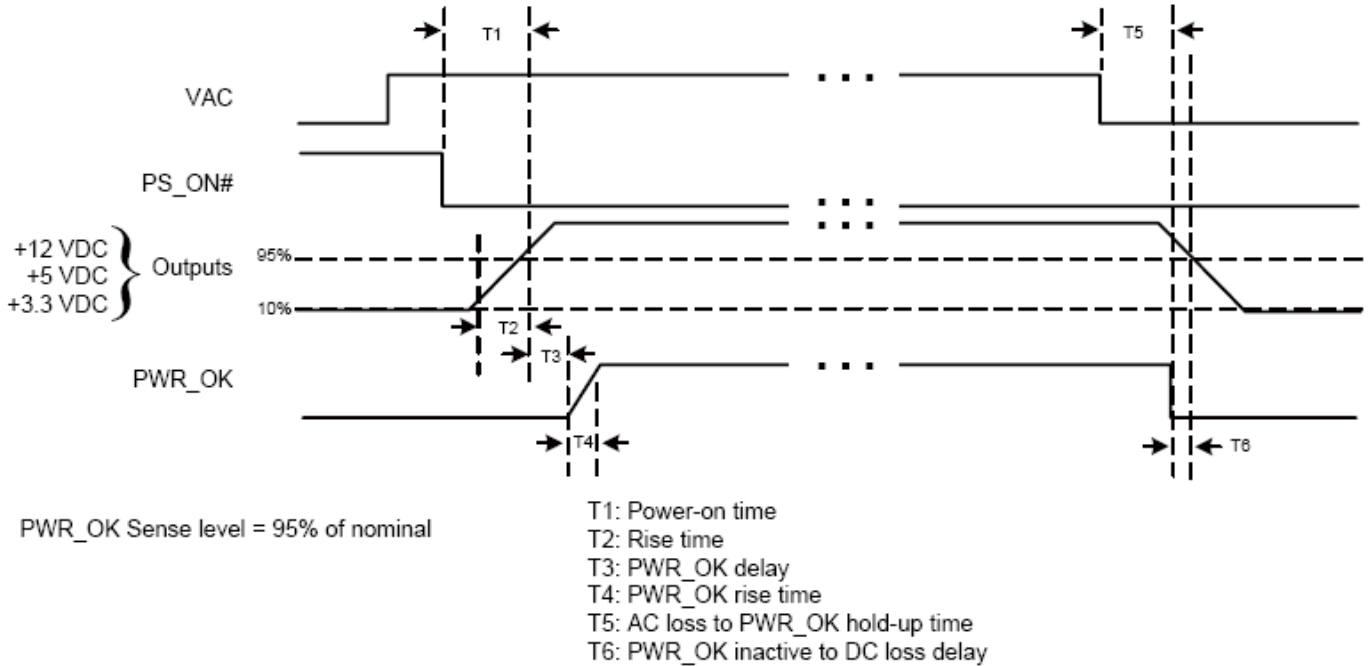
Step load changes up to 60% (12V) and 30% (3.3V and 5V) of full load, while other loads remains constant within the rating. The load waveform shall be a square wave with the slope of the rise and fall at 1.0A/usec and the frequency shall be from 50Hz to 10kHz. The DC output voltage will stay within regulation of $\pm 5\%$ during the step load changes.

2.4 OVERSHOOT

Overshoot at turn on or turn off shall be less than 10% of the nominal output voltage.

2.5 TIMING, HOUSEKEEPING AND CONTROL

A low active PS-ON (DC ON/OFF) input signal is equipped, which provide the interface ENABLE or to DISABLE the GROUP1 of DC output. This signal is electrically to interface with TTL, OPEN COLLECTOR and the HARD SWITCH.



SIGNAL NAME		MAXIMUM	MINIMUM
T1	PS_Power-on time	500mS	
T2	Rise time from each main output	20mS	0.2mS
T3	PWR_ok delay	500mS	100mS
T4	PWR_ok rise time	10mS	
T5	AC loss to PWR_OK hold-up time		16mS
T6	PWR_OK inactive to DC loss delay		1mS

2.5.1 POWER GOOD SIGNAL:

Signal Type: open collector +5DC, TTL compatible.

Logic Level: <0.4V while sinking 4 mA.

Logic Level High: between 2.4VDC and +5V output while sourcing 200 uA.

Max Ripple/Noise: 400mV pk-pk. (no capacitor test)

3.0 OUTPUT PROTECTION

3.1 TOTAL POWER PROTECTION: (OPP)

Total power 150% max with shut-down and latch off protection.

3.2 OVER VOLTAGE PROTECTION: (OVP)

OUTPUT VOLTAGE	MAX. ACT. VOLTAGE	RESULT
+3.3V	4.3V	Shut down & Latch OFF The Group 1 DC Output
+5V	7.0V	
+12V	15.6V	
+5Vsb	7.0V	

3.3 SHORT CIRCUIT PROTECTION: (SCP)

The short between any output of group 1 will shut down all group1.

The short at group 2 will Shut down both group 1 and group 2.

3.4 OVER CURRENT PROTECTION: (OCP)

Over current protection was designed to limit the current to operate within safe operating conditions.Total current 160% max with shut-down and latch off protection.

3.5 OVER TEMPERATURE PROTECTION: (OTP)

This power supply include an over-temperature protection sensor, which can trip and shut down the power supply at a preset temperature point. Such an overheated condition is typically the result of cooling fan failure or excessive maximum operation temperature.

3.6 NO-LOAD SITUATION

No damage or hazardous condition should occur with all the DC output connectors disconnected from the load. The power supply may latch into the shutdown state.

3.7 RESET AFTER SHUTDOWN

Whenever the power supply latches into shutdown state due to fault condition on its output, the power supply will return to normal operation only after the fault has been removed and the PS_ON# has been pulled low again. If the power supply latches into shutdown state due to fault condition on 5Vsb, the power supply will return to normal operation only after the fault has been removed and the power switch (power cord) has been cycled off/on (plugged out/in) with A MINIMUM OFF TIME OF 3 SECONDS.

4.0 ENVIRONMENT

4.1 OPERATING

AMBIENT OPERATION TEMPERATURE: 0 to 45°C. (The rated power will derate from 100% to 80% from 40°C to 45°C Linearly)

AMBIENT OPERATION RELATIVE HUMIDITY: To 85% relative humidity (non-condensing)

4.2 SHIPPING / STORAGE

AMBIENT STORAGE TEMPERATURE:-40 to 85°C

AMBIENT STORAGE RELATIVE HUMIDITY: To 95% relative humidity (non-condensing)

5.0 MTBF

Over 100,000 hours at 25°C.

6.0 EMC

Comply to EN55022: 2006 +A1: 2007 Class B, EN55024: 1998 +A1: 2001 +A2: 2003, EN61000-3-2: 2006 +A1: 2009 +A2: 2009 Class A/D, EN61000-3-3: 2008, FCC Part 15, Subpart B, Class B, CISPR 22: 2008, ICES-003: 2004, ANSI C63.4 (2003),AS/NZS CISPR 22:2009.

7.0 SAFETY

Confirm to IEC 60950-1: 2009, EN 60950-1/A12: 2011, UL 60950-1, 2nd Edition & CSA C22.2 No. 60950-1-07, 2nd Edition.

8.0 MECHANICAL

Dimension: 150 mm (W) × 86 mm (H) × 160mm (D)

SilverStone Technology Co., Ltd.

www.silverstonetek.com

support@silverstonetek.com
NO.G11220751