



SILVERSTONE[®]
Designing Inspiration

STRIDER GOLD S SERIES
ST75F-GS
ST65F-G
ST55F-G

World's smallest, full-modular ATX power supplies

Compact design with a depth of 140mm for easy integration

80 PLUS Gold certification

100% modular cables

24/7 continuous power output with 40°C operating temperature

Class-leading single +12V rail

Strict $\pm 3\%$ voltage regulation and low ripple & noise

Silent running 120mm fan with 18dBA minimum

Installation and system optimization guide:

The following manual and guides were carefully prepared by the SilverStone engineering team to help you maximize the potential of your SilverStone product. Please keep this manual for future reference when upgrading or performing maintenance on your system. A copy of this manual can also be downloaded from our website at:

<http://www.silverstonetek.com>

● General	P.1
● Input Characteristics	P.1
● Output characteristics	P.2
● Protection	P.6
● Start Stability	P.7
● Environments	P.7
● Conducted EMI	P.8
● Product Safety	P.8
● Power Good Signal	P.8
● MTBF	P.9
● Burn-In	P.9
● Harmonics	P.9
● Power Factor	P.9
● Mechanical Specification	P.9

SPECIFICATION

SilverStone Strider Gold

ST75F-GS ST65F-G ST55F-G

ATX12V / EPS 12V Switching Power Supply
With Active PFC
80 Plus Gold
PS/2

1. General

1.1 Scope

This specification defines the performance characteristics of a single phase 750, 650, 550 watts, 5 output power supply. This specification also defines worldwide safety and electromagnetic compatibility requirements for the power supply which is intended for use in computer products.

2. Input Characteristics

2.1 Input Voltage

<u>Nominal Voltage</u>	<u>Voltage Variation Range</u>
100-240 Vrms	90 - 264 Vrms

2.2 Input Frequency

<u>Nominal Frequency</u>	<u>Frequency Variation Range</u>
50-60 Hz	47 Hz to 63 Hz

* The power supply must operate at above frequency with 90-264 VACrms input voltage range.

2.3 Max. Input AC Current

ST75F-GS

Max. Input Current

10A

Measuring Range

90 - 264 Vrms

ST65F-G

Max. Input Current

9A

Measuring Range

90 - 264 Vrms

ST75F-GS

Max. Input Current

8A

Measuring Range

90 - 264 Vrms

2.4 Inrush Current

The power supply must meet inrush requirements for any rated AC voltage, during turn on at any phase of AC voltage, during a single cycle AC dropout condition, during repetitive ON/OFF cycling of AC, and over the specified temperature range. The peak inrush current shall be less than the ratings of its critical components (including input fuse, bulk rectifiers, and surge limiting device).

2.5 Efficiency

ST75F-GS, ST65F-G, ST55F-G provides an efficiency of 87% minimum when measured at full load

3. Output characteristics

3.1 Normal Operation Output

ST75F-GS

Output Voltage	Load MIN	Range MAX	Regulation	Ripple & Noise P-P Max.
+5V	0.2A	22A	±5%	50mV
+12V	0.0A	62.5A	±5%	120mV
-12V	0.0A	0.3A	±10%	120mV
+5Vs	0.0A	3.0A	±5%	50mV
+3.3V	0.0A	22.0A	±5%	50mV

- Maximum continuous total DC output power should not exceed 750W.
- Maximum continuous combined load on +3.3VDC and +5VDC outputs shall not exceed 120W.
- Maximum combined load on +12V outputs shall not exceed 750W.

NOTE:

Noise test should be measured with 20 MHz bandwidth frequency oscilloscope. The output terminal shall add a tantalum capacitor of 10uF in parallel with a ceramic capacitor of 0.1uF.

ST65F-G

Output Voltage	Load MIN	Range MAX	Regulation	Ripple & Noise P-P Max.
+5V	0.0A	22A	±5%	50mV
+12V	0.0A	54.2A	±5%	120mV
-12V	0.0A	0.3A	±10%	120mV
+5Vs	0.0A	3.0A	±5%	50mV
+3.3V	0.0A	22.0A	±5%	50mV

- Maximum continuous total DC output power should not exceed 650W.
- Maximum continuous combined load on +3.3VDC and +5VDC outputs shall not exceed 120W.
- Maximum combined load on +12V outputs shall not exceed 650W.

NOTE:

Noise test should be measured with 20 MHz bandwidth frequency oscilloscope. The output terminal shall add a tantalum capacitor of 10uF in parallel with a ceramic capacitor of 0.1uF.

ST55F-G

Output Voltage	Load MIN	Range MAX	Regulation	Ripple & Noise P-P Max.
+5V	0.0A	20A	±5%	50mV
+12V	0.0A	45.9A	±5%	120mV
-12V	0.0A	0.3A	±10%	120mV
+5Vs	0.0A	3.0A	±5%	50mV
+3.3V	0.0A	20.0A	±5%	50mV

- Maximum continuous total DC output power should not exceed 550W.
- Maximum continuous combined load on +3.3VDC and +5VDC outputs shall not exceed 105W.
- Maximum combined load on +12V outputs shall not exceed 550W.

NOTE:

Noise test should be measured with 20 MHz bandwidth frequency oscilloscope. The output terminal shall add a tantalum capacitor of 10uF in parallel with a ceramic capacitor of 0.1uF.

3.2 Remote On/Off Controlled mode

The PSON# signal is required to remotely turn on/off the power supply, PSON# is an active low signal that turns on the output power rails. When this is not pulled low by the system, or left open, the outputs (except the +5VSB) turn off. This signal is pulled to a standby voltage by a pull-up resistor internal to the power supply.

TTL level "H" 2.0 V - 5.25 V

"L" 0.0 V – 1.0 V

3.3 Regulation

The cross regulation defined as follows, the output regulation should be within the specified range.

ST75F-GS

Load	+5V	+3.3V	+12V	-12V	+5Vsb
Light Load.	2.44A	2.44A	10.55A	0.05A	0.51A
Typical Load	6.10A	6.10A	26.38A	0.13A	1.27A
Full Load	12.20A	12.20A	52.75A	0.25A	2.53A

ST65F-G

Load	+5V	+3.3V	+12V	-12V	+5Vsb
Light Load.	2.38A	2.38A	8.93A	0.05A	0.49A
Typical Load	5.96A	5.96A	22.32A	0.12A	1.24A
Full Load	11.92A	11.92A	44.65A	0.25A	2.47A

ST55F-G

Load	+5V	+3.3V	+12V	-12V	+5Vsb
Light Load.	2.07A	2.07A	7.48A	0.05A	0.49A
Typical Load	5.16A	5.16A	18.71A	0.12A	1.22A
Full Load	10.33A	10.33A	37.42A	0.24A	2.45A

3.4 Rise Time

DC output rise time is less than 20 mS at nominal line and full load.

3.5 Hold-up Time

DC +5V output maintains at least 16mS after power off which hold within full load under 230V/50Hz condition.

3.6 5VSB

5VSB is required for the implementation of PS-ON described above. 5VSB is a standby voltage that may be used to power circuits that require power input during the powered-down state of all power rails. The 5 VSB pin should deliver 5V \pm 5% at a minimum of 3.0 A for PC board circuits to operate. Conversely, PC board should draw no more than 3.0A maximum from this pin. This power may be used to operate circuits such as soft power control.

3.7 PG-OK

PG-OK is a power good signal and should be asserted high by power supply to indicate that the +5 VDC and +3.3 VDC outputs are above the under-voltage thresholds of the power supply. When this signal is asserted high, there should be sufficient mains energy stored by the converter to guarantee continuous power operation within specification. Conversely, when either the +5VDC or the +3.3VDC output voltage falls below the under-voltage threshold, or when mains power has been removed for a time sufficiently long so that power supply operation is no longer guaranteed, PG-OK should be deasserted to a low state. See Figure 1 for a representation of the timing characteristics of the PG-OK, PS-ON, and germane power rail signals.

3.8 3.3V Sense

A default 3.3V sense line should be implemented pin 13 of the connector.

3.9 Capacitive Load

The power supply should be able to power up and operate normally with the following capacitances simultaneously present on the DC outputs.

Output	Capacitive load (μ F)
+5V	6,000
+12V	8,000
+3.3V	6,000
-12V	350
+5VS	350

4. Protection

4.1 Input Protection

In primary circuit of the power supply , a protected fuse is inserted. Only internal fault of the power supply will cause the fuse blown. Any overload or short circuit at DC output will keep from fuse brown or fire hazard.

4.2 Output Protection

4.2.1 Under voltage protection

The +5V/+12V/+3.3V DC output are protected against the under voltage condition . range value can't be exceed 3.3~3.7V at 5V terminal and 8.5~9.5V at 12V, 2.0~2.4V at 3.3V.

4.2.2 Over Voltage Protection

The +12V/ DC output are protected against the over voltage condition . Maximum value can't be over 15.5V at 12V.

4.2.3 Over Power Protection

The power supply can be used electronic circuit to limit the output current against exceeding 60% of surge output power or protected against excessive power delivery since short circuit of any output or over total power at high line.

4.2.4 Short Circuit Protection

Short circuit placed on +5V,+12V,+3.3V,-12V will latch off. +5VSB will auto-recovery.

4.2.5 Over-Current Protection

Current protection should be designed to limit the current to operate within safe operating conditions.Over current protection schemes where only the voltage output that experiences the over current event is shut off may be adequate to maintain safe operation of the power supply and the system; however, damage to the motherboard or other system components may occur. The recommended over current protection scheme is for the power supply to latch into the shutdown state. The setting of over current protection for each output rail is as following.

4.2.6 Over-Temperature Protection

This power supply includes an over-temperature protection sensor, which can trip and shut down the power supply at 110°C

5. Start Stability

5.1 No Load Start

When power is applied to ST75F-GS, ST65F-G, ST55F-G with no load connected or under minimum load connected, neither damage to power supply nor hazards to users will occur.

5.2 Cold Start

The power supply shall operate properly when first applied at normal input voltage and or so maximum load after 4 hours storage in 0°C environment.

6. Environments

6.1 Temperature and Humidity

6.1.1 Operating

Temperature	0°C to 40°C
Relative Humidity	20 to 90 %

6.1.2 Storage

Temperature	-40°C to 70°C
Relative Humidity	20 to 95 % noncondensing

6.2 Altitude

The power supply can operate normally at any altitude between 0 to 10000 feet.

6.3 Vibration and Shock

Sweep and resonance search for each of X,Y,Z, axis at the sweep.
RATE of 1/OCTAVE/Min.

Frequency	Duration	Amplitude
5-55-10 Hz	30 minutes	0.35 mm

7. Conducted EMI

CE,FCC

8. Product Safety

8.1 Safety Requirement

CUL, CB,TUV

8.2 Leakage Current

The AC leakage current is less than 3.5mA when the power supply connect to 264Vac/50Hz .

8.3 Insulation Resistance

The insulation resistance should be not less than 30M ohm after applying of 500VDC for 1 minute.

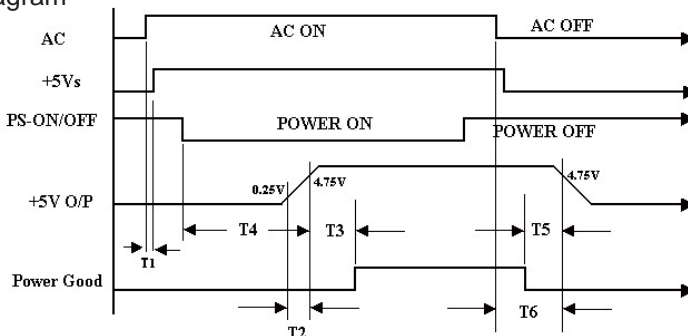
8.4 Dielectric Voltage Withstand

The power supply shall withstand for 1 minute without breakdown the application of a 60Hz 1500V AC voltage applied between both input line and chassis (20mA DC cut-off current). Main transformer shall similarly withstand 3000Vac applied between both primary and secondary windings for a minimum of one minute.

9. Power Good Signal

A TTL compatible signal for the purpose of initiating an orderly start-up procedure under normal input operating conditions. During power up, this signal is asserted (low) until +5V is under regulation and AC reaches min. line specification range. After all voltage are going appropriate level, the system may have a turn on delay of 100mS, but no greater than 500mS. During power off the signal should go to low level before +5V is out of regulation. The low level is 0 to 0.8V and high level is 4.75 to 5.25V. The " Power Good "signal can drive up to 6 standard TTL loads.

Time Diagram



- * T1 : Turn on time (2 sec. Max.)
- * T2 : Rise time (\leq 20mS Max.)
- * T3 : Power good turn on delay time (100 < T3 < 500 mS)
- * T4 : Switch on time (0.5 sec. Max.)
- * T5 : Power good turn off delay time (1.0 mS Min.) PS-ON/OFF
- * T6 : Power hold-on time (16 mS Min.)
- * Power on-off cycle :

When the power supply is turned off for a minimum of 2.0 sec. and turn on again, the power good signal will be asserted.

10. MTBF

The MTBF of the power should be 100,000 hours min.

11. Burn-In

11.1 Input Voltage

Applying 220Vac for 230V model.

11.2 Test Condition

Applying 75% loads for the power supply in 45 (+/-5) oC chamber for 4 hours.

12. Harmonics

The product shall meet requirement for EN61000-3-2 & EN61000-3-3 :1995 standard of class D, test at 230Vac 50Hz.

13. Power Factor

The power supply with active power factor correction, and meet the EN61000-3-2 standards, The power factor is greater than 0.9 at 230V/50Hz, Max. load.

14. Mechanical Specification

150 mm (W) × 86 mm (H) × 140mm (D)

SilverStone Technology Co., Ltd.

www.silverstonetek.com

support@silverstonetek.com

NO. G1122