

SilverStone Technology Co., Ltd.

www.silverstonetek.com

support@silverstonetek.com
Issue date: November, 2009
NO.G1121

Strider Essential Series
ST50F-ES / ST40F-ES
Power for everything you need

High efficiency with 80Plus certification
24hour continuous power output with 40°C operating temperature
Class-leading single +12V rail
Multiple protection circuitry
Silent running 120mm fan with 18dBA
PCI-E 8pin and PCI-E 6pin connector support
ATX 12V 2.3 support
Active PFC circuitry

SPECIFICATION

SilverStone Essential Plus

ST50F-ES

ST40F-ES

ATX12V 2.3 Switching Power Supply With Active PFC PS/2

1. GENERAL

1.1. Scope

This specification defines the performance characteristics of a single phase 500 and 400 watts, 5 output power supply. This specification also defines worldwide safety and electromagnetic compatibility requirements for the power supply which is intended for use in computer products.

2. INPUT CHARACTERISTICS

2.1. Input Voltage

2.1.1 ST50F-ES

Nominal Voltage

115-230 Vrms

Voltage Variation Range

103.5 - 253 Vrms

2.1.1 ST40F-ES

Nominal Voltage

115-230 Vrms

Voltage Variation Range

103.5 - 253 Vrms

2.2 Input Frequency

2.2.1 ST50F-ES

Nominal Frequency

50-60 Hz

Frequency Variation Range

47 Hz to 63 Hz

2.2.2 ST40F-ES

Nominal Frequency

50-60 Hz

Frequency Variation Range

47 Hz to 63 Hz

* The power supply must operate at above frequency with 103.5 - 253VACrms input voltage range.

2.3 Max. Input AC Current

2.3.1 ST50F-ES

Max. Input Current

6.5A

Measuring Range

103.5 - 253 Vrms

2.3.2 ST40F-ES

Max. Input Current

5.5A

Measuring Range

103.5 - 253 Vrms

2.4 Inrush Current

The power supply must meet inrush requirements for any rated AC voltage, during turn on at any phase of AC voltage, during a single cycle AC dropout condition, during repetitive ON/OFF cycling of AC, and over the specified temperature range. The peak inrush current shall be less than the ratings of its critical components (including input fuse, bulk rectifiers, and surge limiting device).

2.5 Efficiency

ST50F-ES, ST40F-ES provides an efficiency of >80% when measured at full load under 115V/60Hz and 230V/50Hz condition.

3. OUTPUT CHARACTERISTICS

3.1 Normal Operation Output

3.1.1 ST50F-ES

Output Voltage	Load MIN	Range MAX	Peak	Regulation	Ripple P-P Max
1. +5V	0.2A	20.0A	--	±5%	100mV
2. +3.3V	0.1A	24.0A	--	±5%	100mV
4. +12V	0.6A	34.0A	--	±5%	150mV
5. -12V	0.0A	0.3A	--	±10%	150mV
6. +5Vs	0.0A	2.5A	--	±5%	100mV

- Maximum continuous total DC output power should not exceed 500W.
- Maximum continuous combined load on +3.3VDC and +5VDC outputs shall not exceed 120W.
- Maximum combined load on +12V outputs shall not exceed 400W.
- When the 12V output is maximum rating, 5V must reach 3A, the output voltage can be within the specification.
- When the 5V output is maximum rating, 12V output rating must reach 11A, the output voltage can be within the specification.

3.1.2 ST40F-ES

Output Voltage	Load MIN	Range MAX	Peak	Regulation	Ripple P-P Max
1. +5V	0.2A	20.0A	--	±5%	100mV
2. +3.3V	0.1A	24.0A	--	±5%	100mV
4. +12V	0.6A	25A	--	±5%	150mV
5. -12V	0.0A	0.3A	--	±10%	150mV
6. +5Vs	0.0A	2.5A	--	±5%	100mV

- Maximum continuous total DC output power should not exceed 400W.
- Maximum continuous combined load on +3.3VDC and +5VDC outputs shall not exceed 120W.
- Maximum combined load on +12V outputs shall not exceed 300W.
- When the 12V output is maximum rating, 5V must reach 3A, the output voltage can be within the specification.
- When the 5V output is maximum rating, 12V output rating must reach 9A, the output voltage can be within the specification.

NOTE:

Noise test should be measured with 20 MHz bandwidth frequency oscilloscope. The output terminal shall add a tantalum capacitor of 10uF in parallel with a ceramic capacitor of 0.1uF.

3.2 Remote On/Off Controlled mode

The PSON# signal is required to remotely turn on/off the power supply, PSON# is an active low signal that turns on the output power rails. When this is not pulled low by the system, or left open, the outputs (except the +5VSB) turn off. This signal is pulled to a standby voltage by a pull-up resistor internal to the power supply.

TTL level "H" 2.0 V - 5.25 V
"L" 0.0 V - 1.0 V

3.3 Regulation

The cross regulation defined as follows, the output regulation should be within the specified range.

3.3.1 ST50F-ES

Load	+5V	+3.3V	+12V	-12V	+5Vsb
Light Load	2.50A	3.00A	6.22A	0.06A	0.47A
Typical Load	6.25A	7.49A	15.54A	0.14A	1.17A
Full Load	12.49A	14.99A	31.08A	0.28A	2.33A

3.3.2 ST40F-ES

Load	+5V	+3.3V	+12V	-12V	+5Vsb
Light Load	2.46A	2.95A	4.59A	0.06A	0.46A
Typical Load	6.14A	7.37A	11.47A	0.14A	1.15A
Full Load	12.28A	14.74A	22.93A	0.28A	2.29A

3.4 Rise Time

DC output rise time is less than 20 mS at nominal line and full load.

3.5 Hold-up Time

DC +5V output maintains at least 8mS after power off which hold within para 3.1 under 230V/50Hz condition.

3.6 5VSB

5VSB is required for the implementation of PS-ON described above. 5VSB is a standby voltage that may be used to power circuits that require power input during the powered-down state of all power rails. The 5 VSB pin should deliver $5V \pm 5\%$ at a minimum of 2.5 A for PC board circuits to operate. Conversely, PC board should draw no more than 2.5A maximum from this pin. This power may be used to operate circuits such as soft power control.

3.7 PG-OK

PG-OK is a power good signal and should be asserted high by power supply to indicate that the +5 VDC and +3.3 VDC outputs are above the under-voltage thresholds of the power supply. When this signal is asserted high, there should be sufficient mains energy stored by the converter to guarantee continuous power operation within specification. Conversely, when either the +5VDC or the +3.3VDC output voltage falls below the under-voltage threshold, or when mains power has been removed for a time sufficiently long so that power supply operation is no longer guaranteed, PG-OK should be deasserted to a low state. See Figure 1 for a representation of the timing characteristics of the PG-OK, PS-ON, and germane power rail signals.

3.8 3.3V Sense

A default 3.3V sense line should be implemented pin 13 of the connector.

3.9 Capacitive Load

The power supply should be able to power up and operate normally with the following capacitances simultaneously present on the DC outputs.

Output	Capacitive load (uF)
+5V	10,000
+12V	10,000
+3.3V	10,000
-12V	330
+5VS	10,000

4. PROTECTION

4.1 Input Protection

In primary circuit of the power supply, a protected fuse is inserted. Only internal fault of the power supply will cause the fuse blown. Any overload or short circuit at DC output will keep from fuse brown or fire hazard.

4.2 Output Protection

4.2.1 Under voltage protection

The +5V/+3.3V DC output are protected against the under voltage condition. Range value can't be exceed 3.3~3.7V at 5V terminal and 2.0~2.4V at 3.3V.

4.2.2 Over Voltage Protection

The +5V/+12V/+3.3V DC output are protected against the over voltage condition. Maximum value can't be over 6.5V at 5V terminal and 15.5V at 12V, 4.3V at 3.3V.

4.2.3 Over Power Protection

The power supply can be used electronic circuit to limit the output current against exceeding 60% of surge output power or protected against excessive power delivery since short circuit of any output or over total power at high line.

4.2.4 Short Circuit Protection

Short circuit placed on +5V,+12V,+3.3V,-12V will latch off. +5VSB will auto-recovery.

5. START STABILITY**5.1 No Load Start**

When power is applied to ST50F-ES & ST40F-ES with no load connected or under minimum load connected, neither damage to power supply nor hazards to users will occur.

5.2 Cold Start

The power supply shall operate properly when first applied at normal input voltage and or so maximum load after 4 hours storage in 0°C environment.

6. ENVIRONMENTS**6.1 Temperature and Humidity****6.1.1 Operating**

Temperature	0 to 40°C
Relative Humidity	20 to 90 %

6.1.2 Storage

Temperature	-40 to 70°C
Relative Humidity	20 to 95 % noncondensing

6.2 Altitude

The power supply can operate normally at any altitude between 0 to 10000 feet.

6.3 Vibration and Shock

Sweep and resonance search for each of X,Y,Z, axis at the sweep. RATE of 1/OCTAVE/Min.

Frequency	Duration	Amplitude
5-55-10 Hz	30 minutes	0.35 mm

7. CONDUCTED EMI

FCC, CE

8. PRODUCT SAFETY**8.1 Safety Requirement**

TUV, UL/c-UL,CB

8.2 Leakage Current

The AC leakage current is less than 3.5mA when the power supply connect to 253Vac/50Hz.

8.3 Insulation Resistance

The insulation resistance should be not less than 30M ohm after applying of 500VDC for 1 minute.

8.4 Dielectric Voltage Withstand

The power supply shall withstand for 1 minute without breakdown the application of a 60Hz 1500V AC voltage applied between both input line and chassis (20mA DC cut-off current). Main transformer shall similarly withstand 3000Vac applied between both primary and secondary windings for a minimum of one minute.

9. POWER GOOD SIGNAL

A TTL compatible signal for the purpose of initiating an orderly start-up procedure under normal input operating conditions. During power up, this signal is asserted (low) until +5V is under regulation and AC reaches min. line specification range. After all voltage are going appropriate level, the system may have a turn on delay of 100mS, but no greater than 500mS. During power off the signal should go to low level before +5V is out of regulation. The low level is 0 to 0.8V and high level is 4.75 to 5.25V. The " Power Good "signal can drive up to 6 standard TTL loads.

Time Diagram

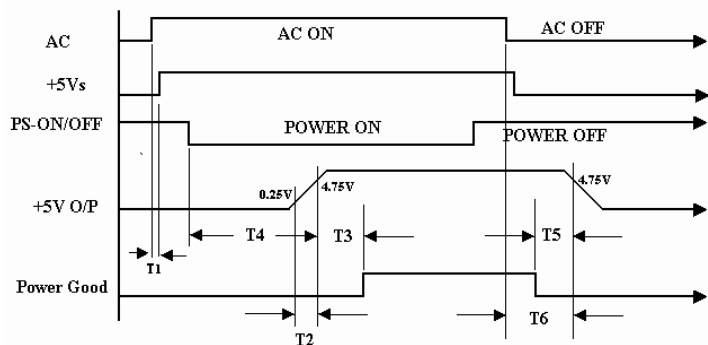


Figure 1

- * T1 : Turn on time (2 sec. Max.)
- * T2 : Rise time ($\leq 20\text{mS}$ Max.)
- * T3 : Power good turn on delay time ($100 < T3 < 500 \text{ mS}$)
- * T4 : Switch on time (0.5 sec. Max.)
- * T5 : Power good turn off delay time (1.0 mS Min.) PS-ON/OFF
- * T6 : Power hold-up time (8 mS Min.)
- * Power on-off cycle :

When the power supply is turned off for a minimum of 2.0 sec. and turn on again, the power good signal will be asserted.

10. HARMONICS

The product shall meet requirement for EN61000-3-2 & EN61000-3-3 :2003 standard of class D, test at 230Vac 50Hz.

11. POWER FACTOR

The power supply with active power factor correction, and meet the EN61000-3-2 standards, The power factor is greater than 0.9 at 230V/50Hz, Max. load.

12. MECHANICAL REQUIREMENTS

12.1 Physical Dimension

150 mm (W) × 86 mm (H) × 140mm (D)

12.2 Connectors

M/B 24PIN connector

Signal	Pin	Pin	Signal
Orange	+3.3V	13	1 +3.3V
Orange	+3.3Vsense	13	2 +3.3V
Blue	-12VDC	14	3 COM
Black	COM	15	4 +5VDC
Green	PS-ON	16	5 COM
Black	COM	17	6 +5VDC
Black	COM	18	7 COM
Black	COM	19	8 PWRGOOD
White	N/C	20	9 5Vsb
Red	+5VDC	21	10 +12V
Red	+5VDC	22	11 +12V
Red	+5Vsense	22	12 +3.3V
Red	+5VDC	23	
Black	COM	24	

EPS 12V 8PIN connector

Signal	Pin	Pin	Signal
Yellow	+12V	5	1 COM
Yellow	+12V	6	2 COM
Yellow	+12V	7	3 COM
Yellow	+12V	8	4 COM

ATX 12V 4PIN (4+4PIN EPS 12V in split mode)

Signal	Pin	Pin	Signal
Black	GND	1	3 +12V
Black	GND	2	4 +12V

4PIN peripheral connector (HDD)

	Signal	Pin
Yellow	+12V	1
Black	COM	2
Black	COM	3
Red	+5VDC	4

4PIN floppy connector (FDD)

Pin	Signal	
1	+5VDC	Red
2	COM	Black
3	COM	Black
4	+12V	Yellow

SATA connector

	Signal	Pin
Orange	+3.3V	5
Black	COM	4
Red	+5V	3
Black	COM	2
Yellow	+12V	1

8PIN PCI Express connector

	Signal	Pin	Pin	Signal	
Yellow	+12V	1	5	COM	Black
Yellow	+12V	2	6	COM	Black
Yellow	+12V	3	7	COM	Black
Black sense1	COM	4	8	COM	Black

6PIN PCI Express connector

	Signal	Pin	Pin	Signal	
Yellow	+12V	1	4	COM	Black
Yellow	+12V	2	5	COM	Black
Yellow	+12V	3	6	COM	Black



To be valid, this sheet must be filled out by your salesperson at the time of purchase.

Store :

Purchaser :

Purchase date :

Model No. :

Serial No. :

