

Warranty Information

This product has a limited 3 year warranty in North America, Europe, and Australia.

For information on warranty periods in other regions, please contact your reseller or SilverStone authorized distributor.

Warranty terms & conditions

- Product component defects or damages resulted from defective production is covered under warranty. Defects or damages with the following conditions will be fixed or replaced under SilverStone Technology's jurisdiction.
 - Usage in accordance with instructions provided in this manual, with no misuse, overuse, or other inappropriate actions.
 - Damage not caused by natural disaster (thunder, fire, earthquake, flood, salt, wind, insect, animals, etc...)
 - Product is not disassembled, modified, or fixed. Components not disassembled or replaced.
 - Warranty mark/stickers are not removed or broken.
 Loss or damages resulted from conditions other than ones listed above are not covered under warranty.
- Under warranty, SilverStone Technology's maximum liability is limited to the current market value for the product (depreciated value, excluding shipping, handling, and other fees). SilverStone Technology is not responsible for other damages or loss associated with the use of product.
- Under warranty, SilverStone Technology is obligated to repair or replace its defective products. Under no circumstances will SilverStone Technology be liable for damages in connection with the sale, purchase, or use including but not limited to loss of data, loss of business, loss of profits, loss of use of the product or incidental or consequential damage whether or not foreseeable and whether or not based on breach of warranty, contract or negligence, even if SilverStone Technology has been advised of the possibility of such damages.
- Warranty covers only the original purchaser through authorized SilverStone distributors and resellers and is not transferable to a second hand purchaser.
- You must provide sales receipt or invoice with clear indication of purchase date to determine warranty eligibility.
- If a problem develops during the warranty period, please contact your retailer/reseller/SilverStone authorized distributors or SilverStone <http://www.silverstonetek.com>. Please note that: (i) You must provide proof of original purchase of the product by a dated itemized receipt; (ii) You shall bear the cost of shipping (or otherwise transporting) the product to SilverStone authorized distributors. SilverStone authorized distributors will bear the cost of shipping (or otherwise transporting) the product back to you after completing the warranty service; (iii) Before you send the product, you must be issued a Return Merchandise Authorization ("RMA") number from SilverStone. Updated warranty information will be posted on SilverStone's official website. Please visit <http://www.silverstonetek.com> for the latest updates.

Additional info & contacts

For North America (usasupport@silverstonetek.com)

SilverStone Technology in North America may repair or replace defective product with refurbished product that is not new but has been functionally tested.

Replacement product will be warranted for remainder of the warranty period or thirty days, whichever is longer. All products should be sent

back to the place of purchase if it is within 30 days of purchase, after 30 days, customers need to initiate RMA procedure with SilverStone Technology

in USA by first downloading the "USA RMA form for end-users" form from the below link and follow its instructions.

<http://silverstonetek.com/contactus.php>

For Australia only (support@silverstonetek.com)

Our goods come with guarantees that cannot be excluded under the Australian Consumer Law.

You are entitled to a replacement or refund for a major failure and for compensation for any other reasonably foreseeable loss or damage.

You are also entitled to have the goods repaired or replaced if the goods fail to be of acceptable quality and the failure does not amount to a major failure.

Please refer to above "Warranty terms & conditions" for further warranty details.

SilverStone Technology Co., Ltd. 12F No. 168 Jiankang Rd., Zhonghe Dist., New Taipei City 235 Taiwan R.O.C. + 886-2-8228-1238

(standard international call charges apply)

For Europe (support.eu@silverstonetek.de)

For all other regions (support@silverstonetek.com)

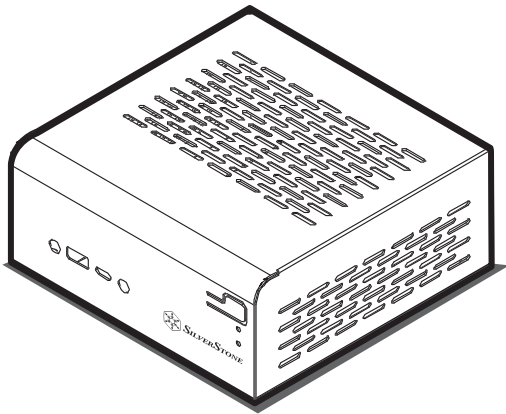


SILVERSTONE[®]
Designing Inspiration

Compact Mini-STX chassis

VT01

- Compatible with Intel Mini-STX motherboard
- Sturdy construction with classic SilverStone styling
- Super small at 1.53 liters in size
- Includes VESA MIS-D, 75 monitor/wall mount clips



www.silverstonetek.com

Specifications

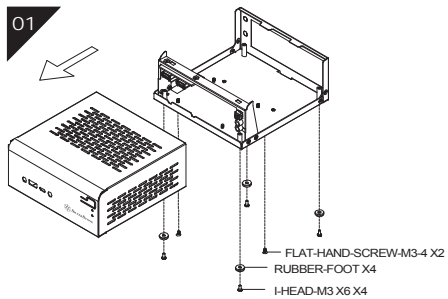
For the latest Intel 5" x 5" Mini-STX motherboard from factor, SilverStone created the Vital series line of compact chassis.

The first model in the series, the VT01, is built to provide sturdy and stylish exterior that features oversized vent at top and sides for good passive cooling capability. There is also accommodation for a single 1.53-inch hard drive for storage applications. Compared to NUC platform, the Mini-STX allows for CPU replacement and upgrades, which dramatically improves DIY flexibility. At only 1.53 liters in size and used in combination with an ultra-low profile CPU cooler such as SilverStone's NT07-115X, the VT01 is a great alternative solution for those looking to get the smallest possible Mini-STX case on the market.

Specifications

Model No.	SST-VT01S / SST-VT01B
Color	silver / black
Material	0.8mm SECC
Motherboard	Intel Mini-STX (5" x 5")
Drive Bay	External - Internal 2.5" x 1
Front I/O Port	USB 3.0 port x 1, Type-C x 1, Audio x 1, MIC x 1
Limitation of CPU cooler	34mm
Net Weight	582g
Dimension	155mm (W) x 152mm (D) x 65mm (H), 1.53 Liters
Extra	Supports VESA Wall mount DIN rail mounting ready
Support VESA Mount	MIS-D, 75

Installation guide



ENGLISH

Loosen 6 screws from bottom to remove top cover

DEUTSCH

Lösen Sie zum Entfernen der oberen Abdeckung die sechs Schrauben von der Unterseite

FRANÇAIS

Desserrez les 6 vis du bas pour enlever le couvercle supérieur

ESPAÑOL

Aloje 6 tornillos de la parte inferior para retirar la cubierta superior

ITALIANO

Allentare 6 viti dalla parte inferiore per rimuovere il coperchio superiore

РУССКИЙ

Ослабьте 6 винтов снизу, чтобы снять верхнюю крышку

繁體中文

將底部6顆螺絲拆下，拉開上蓋

簡體中文

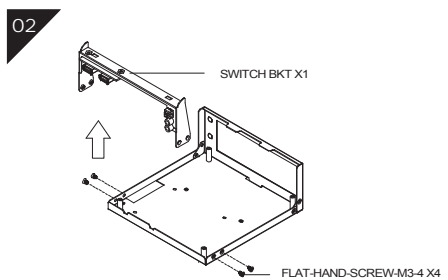
將底部6顆螺絲拆下，拉開上蓋

日本語

下側から6本のネジを緩め、上部カバーを取り外します

한국어

아래쪽에서 6개의 나사를 풀어 상단 커버를 분리합니다



ENGLISH

Loosen four screws from both sides to remove bracket

DEUTSCH

Entfernen Sie die Halterung, indem Sie die vier Schrauben an beiden Seiten lösen

FRANÇAIS

Desserrez quatre vis des deux côtés pour retirer le support

ESPAÑOL

Aloje 4 tornillos de ambos lados para retirar el bracket

ITALIANO

Allentare quattro viti da entrambi i lati per rimuovere la staffa

РУССКИЙ

Ослабьте 4 винта с обеих сторон, чтобы снять кронштейн

繁體中文

鬆開側邊4顆螺絲，拆除支架

簡體中文

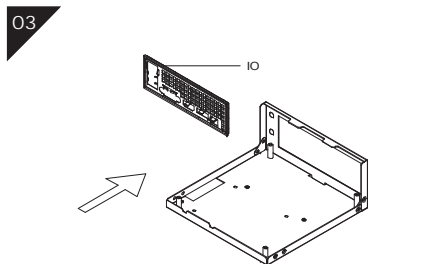
鬆開側邊4顆螺絲，拆除支架

日本語

両側の4本のネジを緩め、ブラケットを取り外します

한국어

양쪽에서 4개의 나사를 풀어 브라켓을 제거합니다



ENGLISH

Insert motherboard I/O plate

DEUTSCH

Setzen Sie die Motherboard-I/O-Blende ein

FRANÇAIS

Insérez la plaque I/O carte mère

ESPAÑOL

Inserte la placa E/S de la placa base

ITALIANO

Insertire la piastra I/O della scheda madre

РУССКИЙ

Вставьте I/O пластину материнской платы

繁體中文

裝上主機板擋板

簡體中文

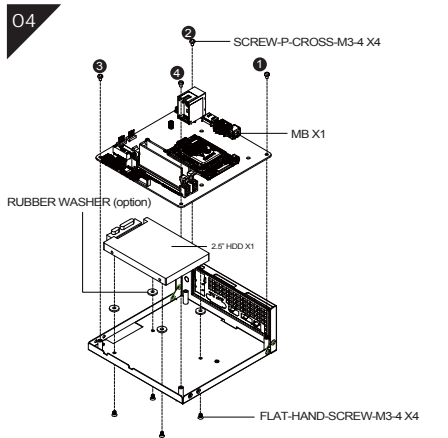
裝上主機板擋板

日本語

マザーボードのI/Oプレートを挿入します

한국어

메인보드 I/O 플레이트를 끼웁니다



ENGLISH

Secure 2.5" hard drive and motherboard, if the SATA connector hard to install, you can add rubber pads to elevate HDD drive

DEUTSCH

Befestigen Sie 2,5-Zoll-Laufwerk und Motherboard, falls Sie einen breiteren SATA-Anschluss haben, können Sie die Festplatten zur Vereinfachung der Installation mit Gummipolstern höher stellen

FRANÇAIS

Fixez le disque dur 2,5" et la carte mère, Si vos connecteurs SATA sont très épais, vous pouvez surélever le support de stockage à l'aide d'inserts en caoutchouc pour une installation plus aisée

ESPAÑOL

Fije el disco duro de 2,5" y la placa base, Si tiene un conector SATA más grueso puede añadir almohadillas de goma al disco duro para elevarlo y que la instalación sea más sencilla

ITALIANO

Fissare il disco rigido da 2,5" e la scheda madre, se si dispone di un connettore SATA di maggiore spessore, è possibile aggiungere protezioni di gomma al disco rigido per elevarlo per un'installazione più facile

РУССКИЙ

Установите жёсткий диск 2,5" и материнскую плату, Если вы используете толстый SATA коннектор, то вы можете добавить резиновые прокладки на жёсткий диск, чтобы поднять его и облегчить процесс установки

繁體中文

鎖固2.5吋硬碟及主機板，若SATA接頭較大難以安裝，可加上橡膠墊片墊高硬碟

簡體中文

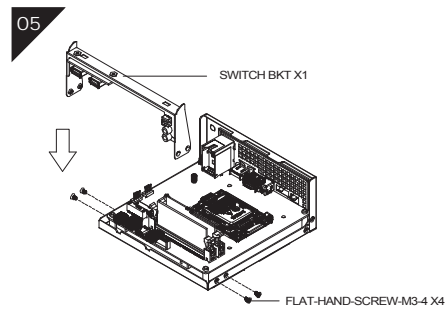
鎖固2.5英寸硬碟及主板，若SATA接頭較大難以安裝，可加上橡膠墊片墊高硬碟

日本語

2.5インチハードドライブとマザーボードを固定します。SATAコネクタの厚み大きい場合は、ハードディスクドライブにゴムパッドを追加すると、インストールが容易になります

한국어

2.5" 하드 드라이브와 메인보드를 고정합니다. 사용 중인 SATA 커넥터가 이보다 두꺼운 경우 하드 드라이브에 고무 패드를 추가하여 높이면 더 쉽게 설치할 수 있습니다



ENGLISH

Reinstall bracket and secure with screws

DEUTSCH

Setzen Sie die Halterung wieder ein und befestigen Sie sie mit Schrauben

FRANÇAIS

Réinstallez le support et sécurisez le avec des vis

ESPAÑOL

Reinstale el bracket y fíjelo con tornillos

ITALIANO

Reinstallare la staffa e fissare con viti

РУССКИЙ

Установите кронштейн и закрепите винтами

繁體中文

將支架裝回並鎖固

簡體中文

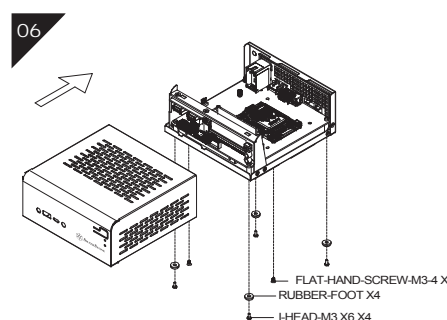
將支架裝回并鎖固

日本語

ブラケットを再取り付けし、ネジで固定します

한국어

브래킷을 도로 설치하고 나사를 조여 고정합니다



ENGLISH

Reinstall top cover to complete installation

DEUTSCH

Bringen Sie zum Abschluss der Installation die obere Abdeckung wieder an

FRANÇAIS

Réinstallez le capot supérieur pour terminer l'installation

ESPAÑOL

Reinstale la cubierta superior para completar la instalación

ITALIANO

Reinstallare il coperchio superiore per completare l'installazione

РУССКИЙ

Установите верхнюю крышку

繁體中文

裝回上蓋，安裝完成

簡體中文

裝回上蓋，安裝完成

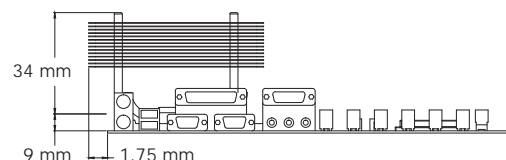
日本語

上部カバーを再取り付けし、取付を完了します

한국어

상단 커버를 도로 설치하여 설치를 완료합니다

CPU Cooler limitation



ENGLISH

Height limitation for CPU cooler is 34mm with 1.75mm clearances over the motherboard's top edge. Does not support Intel stock cooler, we recommend SilverStone NT07-115X.

DEUTSCH

Die Höhenbeschränkung für CPU-Kühler beträgt 34 mm mit einem Freiraum von 1,75 mm oberhalb der Motherboard-Oberkante. Unterstützt keinen Intel-Stock-Kühler, wir empfehlen SilverStones NT07-115X.

FRANÇAIS

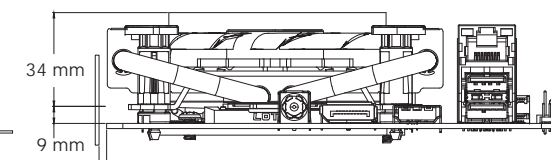
La limitation de la hauteur du refroidisseur CPU est de 34mm avec 1,75mm de jeu sur le bord supérieur de la carte mère. Non compatible avec les refroidisseurs stock Intel, nous vous recommandons le SilverStone NT07-115X.

ESPAÑOL

La limitación de altura para el dissipador de la CPU es de 34mm con un espacio libre de 1,75mm sobre la parte superior de la placa base. No acepta el dissipador Intel, le recomendamos el SilverStone NT07-115X.

ITALIANO

La limitazione dell'altezza del dissipatore di calore CPU è di 34 mm con uno spazio libero di 1,75 mm sopra il bordo superiore della scheda madre. Non supporta dissipatori di calore Intel, si consiglia NT07-115X di SilverStone.



РУССКИЙ

Ограничение для высоты процессорного кулера составляет 34 мм с 1,75 мм зазором над верхним краем материнской платы. Штатный кулер Intel не поддерживается, мы рекомендуем SilverStone NT07-115X.

繁體中文

Cooler限高為34mm，Cooler外源允許超出主機板上邊界1.75mm。無法安裝Intel原廠CPU散熱器，推薦使用銀欣NT07-115X。

簡體中文

Cooler限高為34mm，Cooler外源允許超出主機板上邊界1.75mm。無法安裝Intel原廠CPU散熱器，推薦使用銀欣NT07-115X。

日本語

CPUクーラーの高さ制限は34mmです。また、マザーボードの上端から1.75mmのクリアランスが必要です。Intelストッククーラーはサポートしていません。SilverStone NT07-115Xを推奨します。

한국어

CPU 쿨러의 높이 제한은 34mm이며 메인보드 상단 가장자리 위쪽의 허용 오차는 1.75mm입니다. Intel 스톡 쿨러를 지원하지 않으며, SilverStone NT07-115X 사용을 권장합니다.