



**SILVERSTONE**<sup>®</sup>  
Designing Inspiration

# MVA02

## VESA EXTENSION BRACKET FOR NUC



### Special Features

Enables mounting of two NUC PCs with monitor arm simultaneously  
Support standard VESA mount specification of 75mm x 75mm or 100mm x 100mm  
Built using strong and durable 2.0mm SECC steel

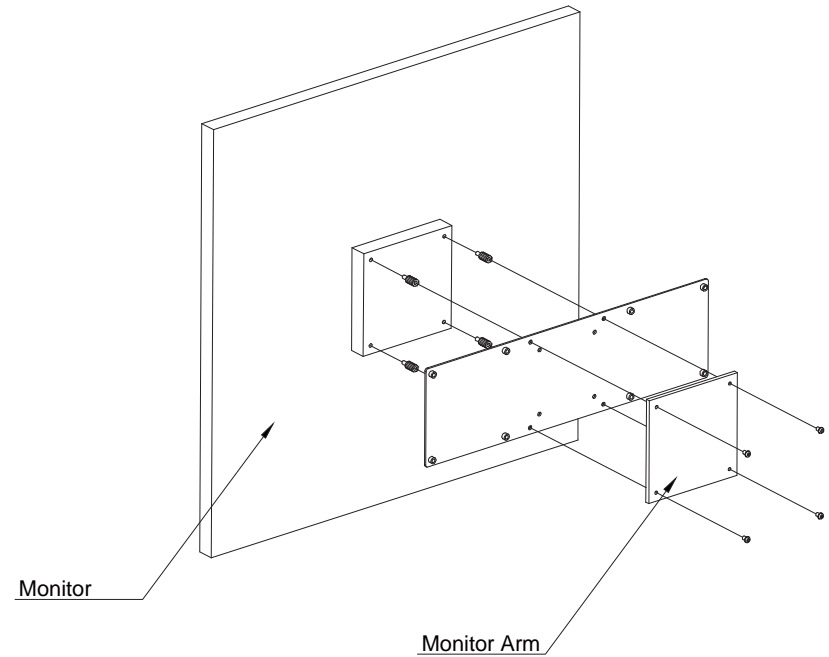
### Specifications

Model	SST-MVA02
Color	Black
Material	2.0mm SECC
Dimensions	115mm (W) x 385mm (H) x 2mm (D)
Weight	700g

- We recommend installing on 19-inch or larger monitor so the MVA02 does not exceed the width of installed monitor.
- Please evaluate the total weight of the installation to avoid exceeding maximum load-bearing of monitor arm.

### Installation Chart

1



2

