



SILVERSTONE[®]
Designing Inspiration

ZEUS

ZU1200M

The benchmark of stability, flexibility, and power

Class-leading six or single +12V rail(s) with 95A

Adjustable switch for six or single +12V rail(s) operation

1200W continuous power output rated up to 50°C

100% modular cables with cable bag

Low ripple & noise with $\pm 1\%$ voltage regulation

Efficiency greater than 80%

Japanese Capacitors

Triple PCI-E 8pin, six PCI-E 6pin, and six SATA connectors

Support ATX 12V 2.3 & EPS 12V

SPECIFICATION

SilverStone ZEUS ZU1200M ATX12V 2.3 Switching Power Supply With Active PFC PS/2 1200W

1. General

This is the specification of Model ZU1200M; it is intended to describe the functions and performance of the subject power supply. This PS/2 1200 watts switching power supply with Active PFC (Power Factor Correction) capability, meets EN61000-3-2 and equips Full Range Input features.

2. AC Input Characteristics

2.1 AC Input Voltage, Frequency and Current (Rating: 100V-240Vac, 47-63Hz, 16-8A)

The power supply must operate within all specified limits over the input voltage range in Table 1. Harmonics distortion of up to 10% THD must not cause the power supply to go out of specified limits.

Parameter	Minimum	Rated	Maximum	Max. Current
Voltage (115V)	90 Vac	100-120Vac	132 Vac	18A
Voltage (230V)	180 Vac	200-240Vac	264Vac	9A
Frequency	47 Hz	50 / 60 Hz	63 Hz	

Table 1 - AC Input Voltage and Frequency

2.2 AC Inrush Current

The power supply must meet inrush requirements of any rated AC voltage, during turn on at any phase of voltage, during a single cycle AC dropout condition, during repetitive On/Off cycling of AC, and over the specified temperature range. The peak inrush current shall be less than the rating of its critical components (including input fuse, bulk rectifiers, and surge limiting device).

2.3 Input Power Factor Correction (Active PFC)

The power factor at full load shall be 0.99 at nominal input voltage.

2.4 Input Current Harmonics

When the power supply is operated in 90-264Vac of Sec. 2.1, the input harmonic current drawn on the power line shall not exceed the limits set by EN61000-3-2 class "D" standards. The power supply shall incorporate universal power input with active power factor correction.

2.5 AC Line Dropout

An AC line dropout of 17mS or less shall not cause any tripping of control signals or protection circuits. If the AC dropout lasts longer than 17mS the power supply should recover and meet all turn on requirements. The power supply shall meet the regulation requirement over all rated AC voltages, frequencies, and output loading conditions. Any dropout of the AC line shall not cause damage to the power supply. An AC line dropout is defined as a drop in AC line to 0VAC at any phase of the AC line for any length of time.

3. DC Output Specification

3.1 Output Current / Loading

The following tables define two power and current rating. The power supply shall meet both static and dynamic voltage regulation requirements for minimum load condition.

Single rail for +12V

Output Voltage	+5V	+3.3V	+12V (Single Rail)	-12V	+5VSB
Max. Load	30A	28A	95A	0.5A	4A
Min. Load	1.0A	0A	3A	0A	0.1A
Max. Combined	180W		1140W		
Total Output	1180W			6W	20W

Multiple rails for +12V

Output Voltage	+5V	+3.3V	+12V1	+12V2	+12V3	+12V4	+12V5	+12V6	-12V	+5VSB
Max. Load	30A	28A	17A	17A	17A	17A	17A	17A	0.5A	4A
Min. Load	1.0A	0A	0.8A	0.8A	0.8A	0.8A	0.8A	0.8A	0A	0.1A
Max. Combined	180W		1140W/95A							
Total Output	1180W								6W	20W

Table 5 - Output Loads Range 1:

Note 1: Maximum continuous total DC output power should not exceed 1200 W.

Note 2: Single / Multiple rail(s) for +12V is adjustable by a switch. (Rail Merging)

Attention:

- 1.This power supply's default setting is six +12V rail configuration
- 2.Turn the switch on for six +12V rails and off for single +12V rail
- 3.Please make sure to turn off the power supply before adjusting the switch

3.2 DC Voltage Regulation, Ripple and Noise

The power supply output voltages must stay within the following voltage limits when operating at steady state and dynamic loading conditions. All outputs are measured with reference to the return remote sense (ReturnS) signal. The +5V,+3.3V, +12V, -12V and +5VSB outputs are measure at the power supply connectors references to ReturnS. The +5V and +3.3V is measured at its remote sense signal (+5VS, +3.3VS) located at the signal connector.

Output Voltage	+5V	+3.3V	+12V1	+12V2	+12V3	+12V4	+12V5	+12V6	-12V	+5VSB
Load Reg.	+/-1%	+/-1%	+/-1%	+/-1%	+/-1%	+/-1%	+/-1%	+/-1%	+/-5%	+/-5%
Line Reg.	±1%	±1%	±1%	±1%	±1%	±1%	±1%	±1%	±1%	±1%
Ripple & Noise	50mV	50mV	50mV	50mV	50mV	50mV	50mV	50mV	120mV	50mV

Table 7 - Regulation, ripple and noise

Ripple and Noise shall be measured using the following methods:

- a) Measurements made differentially to eliminate common-mode noise
- b) Ground lead length of oscilloscope probe shall be 0.25 inch.
- c) Measurements made where the cable connectors attach to the load.
- d) Outputs bypassed at the point of measurement with a parallel combination of 10uF tantalum capacitor in parallel with a 0.1uF ceramic capacitors.
- e) Oscilloscope bandwidth of 0 Hz to 20MHz.
- f) Measurements measured at locations where remote sense wires are connected.
- g) Regulation tolerance shall include temperature change, warm up drift and dynamic load.

3.3 Timing Requirements

These are the timing requirements for the power assembly operation. The output voltages must rise from 10% to within regulation limits (Tvout_rise) within 5 to 70mS. The +5V, +3.3V and +12V output voltages should start to rise at about the same time. All outputs must rise monotonically. The +5V output needs to be greater than the +3.3V output during any point of the voltage rise. The +5V output must never be greater than the +3.3V output by more than 2.25V. Each output voltage shall reach regulation within 50 mS (Tvout_on) of each other during turn on of the power supply. Each output voltage shall fall out of regulation within 400 mS (Tvout_off) of each other during turn off. Figure 1 and figure 2 show the turn On and turn Off timing requirement. In Figure 2, the timing is shown with both AC and PSON# controlling the On/Off of the power supply..

Item	Description	MIN	MAX	Units
Tvout_rise	Output voltage rise time from each main output.(+5Vsb < 70mS)	5	70	ms
Tvout_on	All main output must be within regulation of each other within this time.		50	ms
Tvout_off	All main output must leave regulation within this time		400	ms

Table 10 - Output Voltage Timing

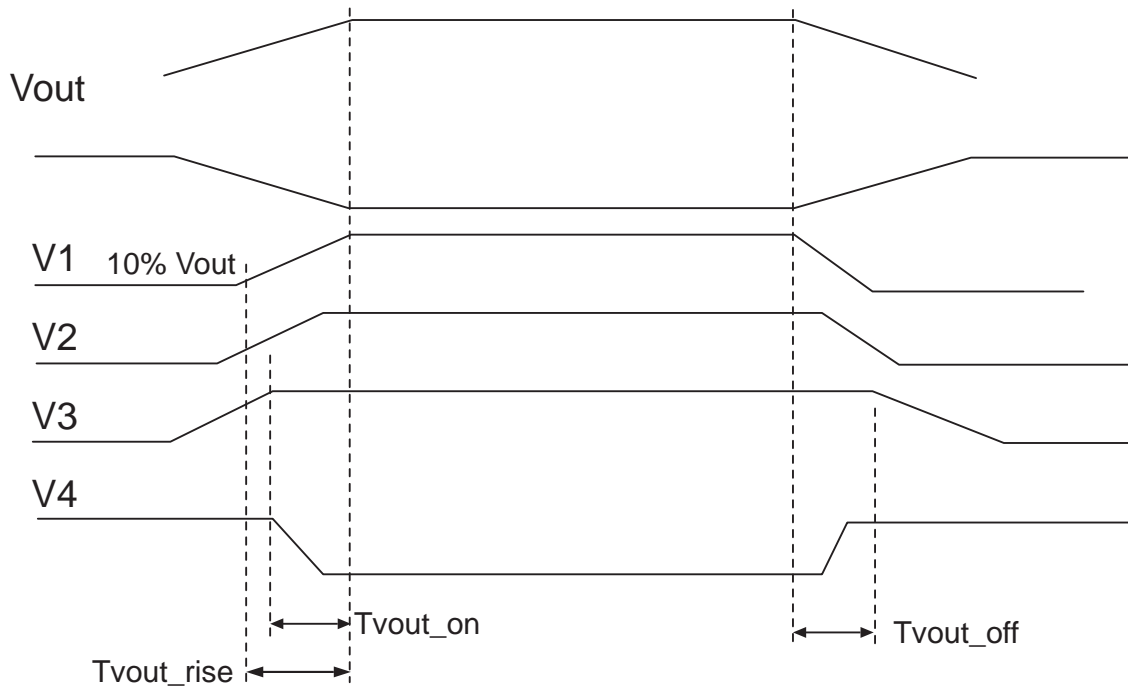


Figure 1 : Output Voltage Timing

Item	Description	MIN	MAX	Units
Tsb_on-delay	Delay from AC being applied to +5VSB being within regulation.		1500	mS
Tac_on-delay	Delay from AC being applied to all output voltages being within regulation.		2500	mS
Tvout_holdup	All main output voltage stay within regulation after loss of AC.	18		mS
Tpwok_holdup	Delay from loss of AC deassertion of PWOK..	17		mS
Tpson_on_delay	Delay from PSON# active to output voltage within regulation limits.	5	400	mS
Tpson_pwok	Delay from PSON# deactive to PWOK being deasserted.		50	mS
Tpwok_on	Delay from output voltage within regulation limits to PWOK asserted at turn on.	100	500	mS
Tpwok_off	Delay from PWOK deasserted to output voltages (+5V, +3.3V, +12V) dropping out of regulation limits.	1		mS
Tpwok_low	Duration of PWOK being in the deasserted state during an off/on cycle using AC or the PSON# signal.	100		mS
Tsb_vout	Delay from +5VSB being in regulation to O/Ps being in regulation at AC turn on.	50	1000	mS

Table 11 - Turn On/Off Timing

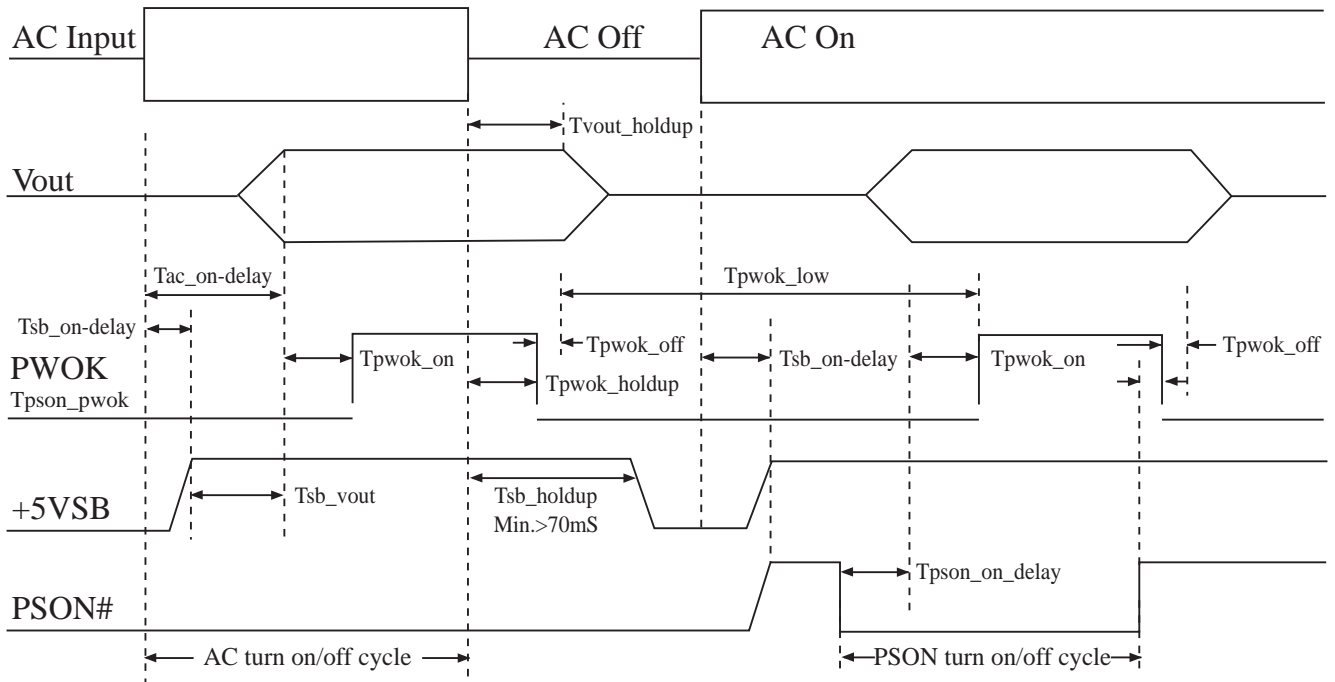


Figure 2 : Turn On/Off Timing

3.4 Remote On/Off Control : PSON#

The PSON# signal is required to remotely turn on/off the power supply. PSON# is an active low signal that turns on the +5V, +3.3V, +12V and -12V power rails. When this signal is not pulled low by the system, or left open, the outputs (except the +5VSB and V bias) turn off. This signal is pulled to a standby voltage by a pull-up resistor internal to the power supply.

Signal Type	Accepts an open collector/drain input from the system. Pull-up to VSB locted in power supply.
PSON# = Low	Power ON
PSON# = High	Power OFF

Table 13 - PWOK Signal Characteristic

3.5 Efficiency

The efficiency is specified at 50% and 20% loading conditions to help reduce system power consumption at typical system loading conditions.

Loading	100% of maximum	50% of maximum	20% of maximum
Minimum	78%	80%	78%

3.6 +5VSB (Standby)

The +5VSB output is always on (+5V Standby) when AC power is applied and power switch is turned on.

The +5VSB line is capable of delivering at a maximum of 4A for PC board circuit to operate.

4. Protection

Protection circuits inside the power supply shall cause only the power supply's main outputs to shutdown. If the power supply latches off due to a protection circuit tripping, either a AC cycle OFF for 15 sec, or PSON# cycle HIGH for 1 sec must be able to restart the power supply.

4.1 Over Current Protection

This power supply shall have current limit to prevent the +5V, +3.3V, and +12V outputs from exceeding the values shown in table 14. The current limit shall not trip under maximum continuous load or peak loading as described in Table 5. The power supply shall latch off if the current exceeds the limit. The latch shall be cleared by toggling the PSON# signal or by cycling the AC power. The power supply shall not be damaged from repeated power cycling in this condition. The -12V and +5VSB outputs shall be shorted circuit protected so that no damage can occur to the power supply.

Voltage	Minimum	Maximum	Shutdown Mode
+5V	110%	160%	Latch Off
+3.3V	110%	160%	Latch Off
+12V	110%	160%	Latch Off

Table 14 -Over Current protection

4.2 Over Voltage Protection

The power supply shall shut down in a latch off mode when the output voltage exceeds the over voltage limit shown in Table 4.

Voltage	Minimum	Maximum	Shutdown Mode
+5V	+5.7V	+6.5V	Latch Off
+3.3V	+3.9V	+4.5V	Latch Off
+12V1,2,3,4	+13.3V	+14.5V	Latch Off
5VSB	+5.7V	+6.5V	Auto recovery

Table 15 -Over Voltage protection

4.3 Short Circuit Protection

The power supply shall shut down in a latch off mode when the output voltage is short circuit.

5. Environmental Requirements

5.1 Temperature

Operating Temperature Range:	0°C ~ 50°C (32°F ~ 122°F)
Non-Operating Temperature Range:	-40°C ~ 70°C (-40°F ~ 158°F)

5.2 Humidity

Operating Humidity Range:	20% ~ 90%RH non-condensing
Non-Operating Temperature Range:	5% ~ 95%RH non-condensing

6. Agency Requirements

6.1 Safety Certification.

Product Safety:	UL 60950-1 2000Edition, IEC60950-1, 3 rd EditionEU Low Voltage Directive(73/23/EEC) (CB)TUV, CCC
RFI Emission:	FCC Part15 (Radiated & Conducted Emissions)CISPR 22,3 rd Edition / EN55022: 1998 + A1: 2000)
PFC Harmonic:	EN61000-3-2:2000
Flicker:	EN61000-3-3: 1995 + A1: 2002
Immunity against: -Electrostatic discharge: -Radiated field strength: -Fast transients: -Surge voltage: -RF Conducted -Voltage Dips and Interruption	EN55024: 1998 + A1: 2001 and A2: 2003 -IEC 61000-4-2 -IEC 61000-4-3 -IEC 61000-4-4 -IEC 61000-4-5 -IEC 61000-4-6 -IEC 61000-4-11

Table 16 -Safety Certification

6.2 AC Input Leakage Current

Input leakage current from line to ground will be less than 3.5mA rms. Measurement will be made at 240 VAC and 60Hz.

7. Reliability

7.1 Mean Time Between Failures (MTBF)

The MTBF of the power supply shall be calculated utilizing the Part-Stress Analysis method of MIL217F or Bell core RPP. The calculated MTBF of the power supply shall be greater than 100,000 hours under the following conditions:

- Full rated load
- 120V AC input
- Ground Benign
- 25°C

7.2 Warranty

Three (3) years warranty.

8. Connections

8.1 AC Input Connector

The AC input connector shall be an IEC 320 C-14 power inlet. This inlet is rated for 15 A/250 VAC.

8.2 DC Wire Harness and Connector Requirements

P1: Motherboard Power Connector

Connector housing: 24- Pin Molex 5557 (No.39-01-2240) or Equivalent

Contact: Molex 5556T (No.44476-1111) or Equivalent

Pin	Signal	Color	Size
1	+3.3 VDC	Orange	16 AWG
2	+3.3 VDC	Orange	16 AWG
3	COM	Black	18 AWG
4	+5 VDC	Red	18 AWG
5	COM	Black	18 AWG
6	+5 VDC	Red	18 AWG
7	COM	Black	18 AWG
8	PW_OK	Gray	22 AWG
9	5VSB	Purple	18 AWG
10	+12V3	Yellow/Blue stripe	18 AWG
11	+12V3	Yellow/Blue stripe	18 AWG
12	+3.3 VDC	Orange	16 AWG

Pin	Signal	Color	Size
13	+3.3 VDC ; +3.3VRS+	Orange / Brown	16 AWG ; 22AWG
14	-12 VDC	Blue	18 AWG
15	COM	Black	18 AWG
16	PS_ON#	Green	22 AWG
17	COM	Black	18 AWG
18	COM	Black	18 AWG
19	COM	Black	18 AWG
20	N/C		
21	+5 VDC	Red	18 AWG
22	+5 VDC ; +5V RS+	Red; Red	18 AWG ; 22AWG
23	+5 VDC	Red	18 AWG
24	COM	Black	18 AWG

P2: Processor Power Connector

Connector housing: 8- Pin Molex 5557 (39-01-2080) or Equivalent

Contact: Molex 5556T (39-00-0059) or Equivalent

Pin	Signal	Color	Size
1	COM	Black	18 AWG
2	COM	Black	18 AWG
3	COM	Black	18 AWG
4	COM	Black	18 AWG

Pin	Signal	Color	Size
5	+12 VDC1	Yellow/Black stripe	16 AWG
6	+12 VDC1	Yellow/Black stripe	16 AWG
7	+12 VDC1	Yellow	16 AWG
8	+12 VDC1	Yellow	16 AWG

+12V4 Baseboard Power Connector

Connector housing: 4- Pin Molex 5557 (39-01-2040) or Equivalent

Contact: Molex 5556T (39-00-0059) or Equivalent

Pin	Signal	Color	Size
1	COM	Black	18 AWG
2	COM	Black	18 AWG

Pin	Signal	Color	Size
3	+12 V2	Yellow	16 AWG
4	+12 V2	Yellow	16 AWG

4-Pin HDD / CD-ROM Drive Power Connectors

Connector housing: 4- Pin AMP: 1-480424-0 or Molex 8981-04P or Equivalent

Contact: Amp 61314-1 or Equivalent

Pin	Signal	Color	Size
1	+12V3	Yellow/Green stripe	18 AWG
2	COM	Black	18 AWG
3	COM	Black	18 AWG
4	+5 VDC	Red	18 AWG

Small 4-Pin : Floppy Disk Drive Power Connectors

Connector housing: 4- Pin AMP: 171822-4 or Equivalent

Pin	Signal	Color	Size
1	+5 VDC	Red	22 AWG
2	COM	Black	22 AWG
3	COM	Black	22 AWG
4	+12 V3	Yellow/Green stripe	22 AWG

Serial ATA Power Connector

This is a required connector for systems with serial ATA devices.

Molex Housing #675820000 or Equivalent

Molex Terminal #67510000 or Equivalent

Pin	Signal	Color	Size
1	+12 V4 & V5	Yellow/Green stripe	18 AWG
2	COM	Black	18 AWG
3	+5VDC	RED	18 AWG
4	COM	Black	18 AWG
5	+3.3VDC	Orange	18 AWG

Workstation Power Connector for High Power Graphics Cards

For workstation systems with high-powered graphics cards an additional power connector to the baseboard may be needed. This connector supplies additional +12V power for the higher power level graphics cards used in workstation applications.

Connector housing: 6-pin Molex 45559-0002 or equivalent

Contacts: Molex 39-00-0207 or equivalent

PCI-Express 6-Pin

Pin	Signal	Color	Size
1	+12 V6	Yellow/Green stripe	18 AWG
2	+12 V6	Yellow/Green stripe	18 AWG
3	+12 V6	Yellow/Green stripe	18 AWG

Pin	Signal	Color	Size
4	COM	Black	18 AWG
5	COM	Black	18 AWG
6	COM	Black	18 AWG

PCI-Express 8-Pin

Pin	Signal	Color	Size
1	+12 V4 & V5	Yellow/Green stripe	18 AWG
2	+12 V4 & V5	Yellow/Green stripe	18 AWG
3	+12 V4 & V5	Yellow/Green stripe	18 AWG
4	COM	Black	18 AWG

Pin	Signal	Color	Size
5	COM	Black	18 AWG
6	COM	Black	18 AWG
7	COM	Black	18 AWG
8	COM	Black	18 AWG

9. Physical Characteristics Size

9.1 Power Supply Dimension: 150 mm(W) x 86 mm(H) x 215 mm(D)

To be valid, this sheet must be filled out by
your salesperson at the time of purchase.

Store :

Purchaser :

Purchase date :

Model No. :

Serial No. :

SILVERSTONE

SilverStone Technology Co., Ltd.

www.silverstonetek.com

support@silverstonetek.com

Issue date: June, 2008

NO:G11204502